

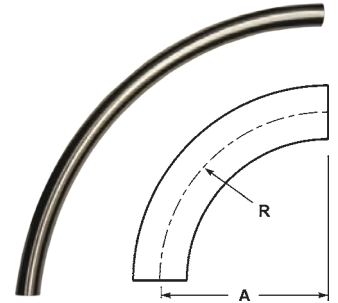
Weld Sweep Elbows

Feature:

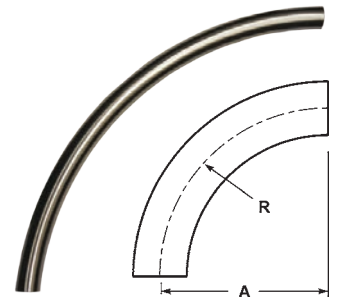
- Available options: call Dixon™ for tangents, 45° and other radii elbows.

Polished 12" 90° Weld Sweep Elbows - B2SXL 

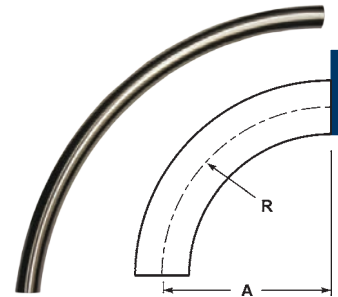
Tube OD	Dimensions		316L Stainless Steel	
	A	R	Part #	Price/E
1½"	12.00"	12.00"	B2SXL12-R150	\$913.55
2"	12.00"	12.00"	B2SXL12-R200	907.30
3"	12.00"	12.00"	B2SXL12-R300	1064.75
4"	12.00"	12.00"	B2SXL12-R400	1450.50

Polished 18" 90° Weld Sweep Elbows - B2SXL 

Tube OD	Dimensions		316L Stainless Steel	
	A	R	Part #	Price/E
1½"	18.00"	18.00"	B2SXL18-R150	\$1172.70
2"	18.00"	18.00"	B2SXL18-R200	1172.70
2½"	18.00"	18.00"	B2SXL18-R250	1197.40
3"	18.00"	18.00"	B2SXL18-R300	1419.65

Polished 24" 90° Weld Sweep Elbows - B2SXL 

Tube OD	Dimensions		316L Stainless Steel	
	A	R	Part #	Price/E
1½"	24.00"	24.00"	B2SXL24-R150	\$953.95
2"	24.00"	24.00"	B2SXL24-R200	1197.35
2½"	24.00"	24.00"	B2SXL24-R250	1296.20
3"	24.00"	24.00"	B2SXL24-R300	1573.95

Polished 36" 90° Weld Sweep Elbows - B2SXL 

Tube OD	Dimensions		316L Stainless Steel	
	A	R	Part #	Price/E
3"	36.00"	36.00"	B2SXL36-R300	\$2607.80
4"	36.00"	36.00"	B2SXL36-R400	3317.55

