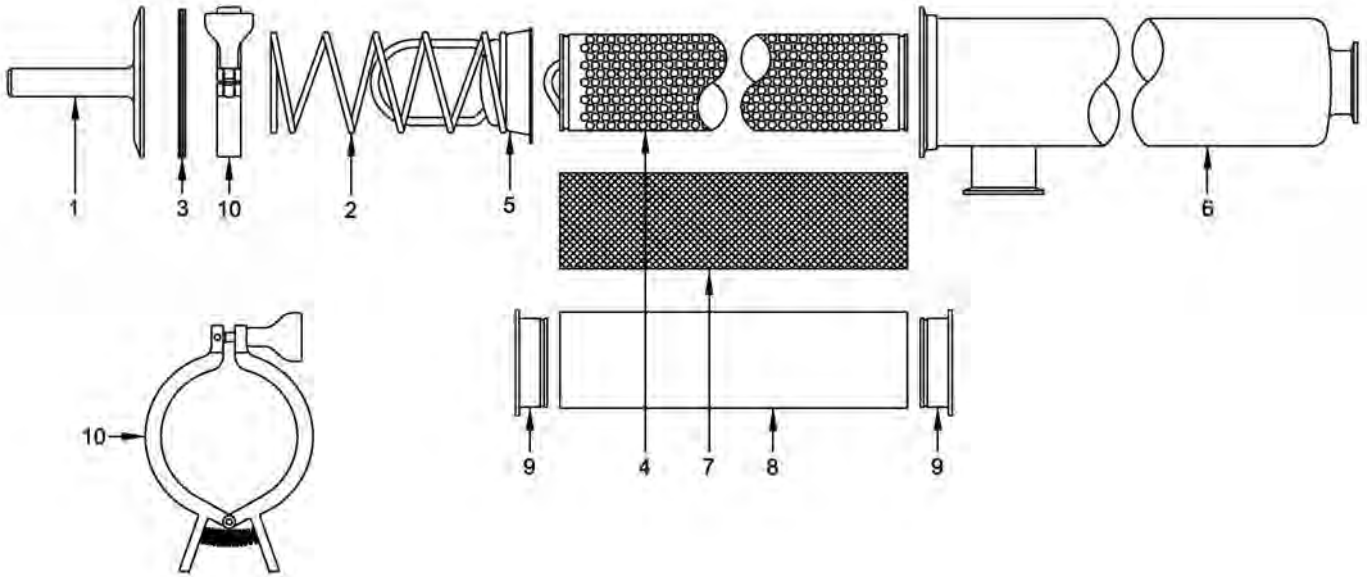


## Filter / Strainers

## Bill of Materials



Item #	Description	1½" and 2" Part #	3" Part #	Material	Qty
1	end cap with handle	<b>BS-31-R100-200</b>	<b>BS-31-R250-300</b>	316L stainless steel	1
2	strainer spring	<b>BS-32-R100-200</b>	<b>BS-32-R250-300</b>	316L stainless steel	1
3	clamp gasket	<b>40MP-U400</b>	<b>40MPV-U400</b>	Buna	1
4	back-up tube with 1/8" perforations	<b>BS-1418-R100200</b>	<b>BS-2418-R250300</b>	316L stainless steel	1
	back-up tube with 1/4" perforations	<b>BS-1425-R100200</b>	<b>BS-2425-R250300</b>		
5	distributor cap	<b>BS-35-R100-200</b>	<b>BS-35-R250-300</b>	316L stainless steel	1
6	1½" strainer body	<b>BS-36-R150</b>	---	316L stainless steel	1
	2" strainer body	<b>BS-36-R200</b>	---		
	3" strainer body	---	<b>BS-36-R300</b>		
7	various mesh over screens	part number on page 498		316 stainless steel	1
8	various filter bag	part number on page 498		various	1
9	retaining ring used with filter bags	<b>BS-09-U100-200</b>	<b>BS-09-U250-300</b>	Buna	2
10	squeeze clamp for assembly	<b>13MHHM-Q400</b>	<b>13MHHV-Q400</b>	304 stainless steel	1

N