

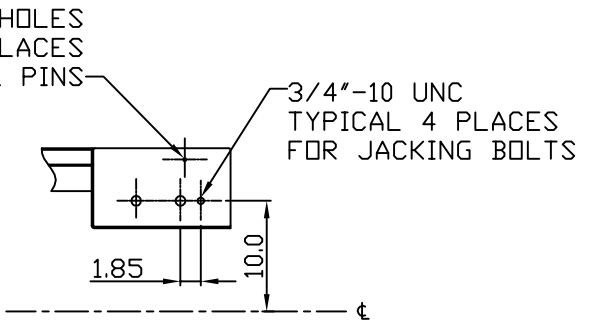
**TECHNICAL INFORMATION**

1. BEARING LUBRICATION DE: MOBIL POLYREX EM  
ODE: MOBIL POLYREX EM
2. BEARING TYPE DE: 6321C3  
ODE: 6321C3 (INSULATED)
3. WINDING TEMP. DETECTORS  
NUMBER AND TYPE: 6xRTD(Pt0°C-100ohm)  
LOCATION: IN STATOR SLOT
4. BEARING TEMP. DETECTORS  
NUMBER AND TYPE: N/A
5. SPACE HEATER 1 PHASE  
VOLTS: 120 WATTS: 400
6. ROTATION: CCW VIEWED FROM NON DRIVE END  
THIS MOTOR IS BI DIRECTIONAL
7. MOTOR PAINT COLOR: GRAY
8. APPROX. WEIGHT: 5000 Lbs.
9. ACCESORIES:

| DRAWING LIST                                                                           |        |     |              |     |        |
|----------------------------------------------------------------------------------------|--------|-----|--------------|-----|--------|
| MAIN TERMINAL BOX<br>130-7622-55                                                       |        |     |              |     |        |
| AUX TERMINAL BOX FOR<br>SPACE HEATER 130-7520-50<br>R.T.D. 130-7522-51<br>THERMISTOR - |        |     |              |     |        |
| PRODUCTION #                                                                           | -      | 1   | GRS FROM SRI | RWS | 1/2/14 |
|                                                                                        |        | 0   | FIRST ISSUE  | MH  | 012904 |
| UNITS:                                                                                 | INCHES | NO. | REVISION     | BY  | DATE   |

**MOTOR OUTLINE FOR THREE PHASE INDUCTION MOTOR**

| CUSTOMER NAME                                                      |                   |              |                        | P.O. NO.                             | MOTOR TAG NO.            |                 |
|--------------------------------------------------------------------|-------------------|--------------|------------------------|--------------------------------------|--------------------------|-----------------|
| OUTPUT HP                                                          | POLE              | VOLTAGE V    | FREQUENCY Hz           | FULL LOAD SPEED (min <sup>-1</sup> ) | TOSHIBA MODEL NO.        |                 |
| TYPE                                                               | FORM              | INS. CLASS F | RATING CONT.           | FRAME 5011/12US                      | S.F.                     | ENCLOSURE WP-II |
| <b>TOSHIBA INTERNATIONAL CORPORATION<br/>HOUSTON, TEXAS U.S.A.</b> |                   |              |                        |                                      |                          |                 |
| 3rd ANGLE PROJ.                                                    | PREPARED BY: M.HO | DATE: 012904 | CHECKED BY: D. HENSLEY | DATE: 012904                         | DRAWING NO.: MDSL0087-06 | REV. 1          |



**TYPICAL MOTOR PERFORMANCE DATA**

Model: 5004WTAK11E-C

| HP        | kW  | Pole       | FL RPM | Frame  | Voltage        | Hz          | Phase    | FL Amps      |
|-----------|-----|------------|--------|--------|----------------|-------------|----------|--------------|
| 500       | 373 | 4          | 1775   | 5012US | 4000           | 60          | 3        | 65           |
| Enclosure | IP  | Ins. Class | S.F.   | Duty   | NEMA Nom. Eff. | NEMA Design | kVA Code | Ambient (°C) |
| WP-II     | 24  | F          | 1.15   | CONT   | 93             | B           | F        | 40 C         |

| Load         | HP     | kW    | Amperes | Efficiency (%) | Power Factor (%) |
|--------------|--------|-------|---------|----------------|------------------|
| Full Load    | 500    | 372.9 | 64.0    | 93.2           | 90.1             |
| ¾ Load       | 375.00 | 279.6 | 49.4    | 93.4           | 87.5             |
| ½ Load       | 250.00 | 186.4 | 36.0    | 93.0           | 80.2             |
| ¼ Load       | 125.00 | 93.2  | 25.4    | 90.4           | 58.6             |
| No Load      |        |       | 16.5    |                | 6.9              |
| Locked Rotor |        |       | 394.00  |                | 29.7             |

| Torque               |                         |                    |                       | Rotor wk <sup>2</sup><br>Inertia<br>(lb-ft <sup>2</sup> ) |
|----------------------|-------------------------|--------------------|-----------------------|-----------------------------------------------------------|
| Full Load<br>(lb-ft) | Locked Rotor<br>(% FLT) | Pull Up<br>(% FLT) | Break Down<br>(% FLT) |                                                           |
| 1480                 | 135                     | 135                | 275                   | 140.99                                                    |

| Safe Stall Time(s) |     | Sound Pressure<br>dB(A) @ 1M | Bearings* |            | Approx. Motor Weight<br>(lbs) |
|--------------------|-----|------------------------------|-----------|------------|-------------------------------|
| Cold               | Hot |                              | DE        | NDE        |                               |
| 21.1               | 9.2 | -                            | 6321C3    | 6321C3 INS |                               |

\*Bearings are the only recommended spare part(s).

**Motor Options:**  
Product Family:WP-II  
Mounting:Footed,Shaft:US Shaft

|             |  |
|-------------|--|
| Customer    |  |
| Customer PO |  |
| Sales Order |  |
| Project #   |  |

Tag:

All characteristics are average expected values.

**TOSHIBA INTERNATIONAL CORPORATION · HOUSTON, TEXAS U.S.A.**

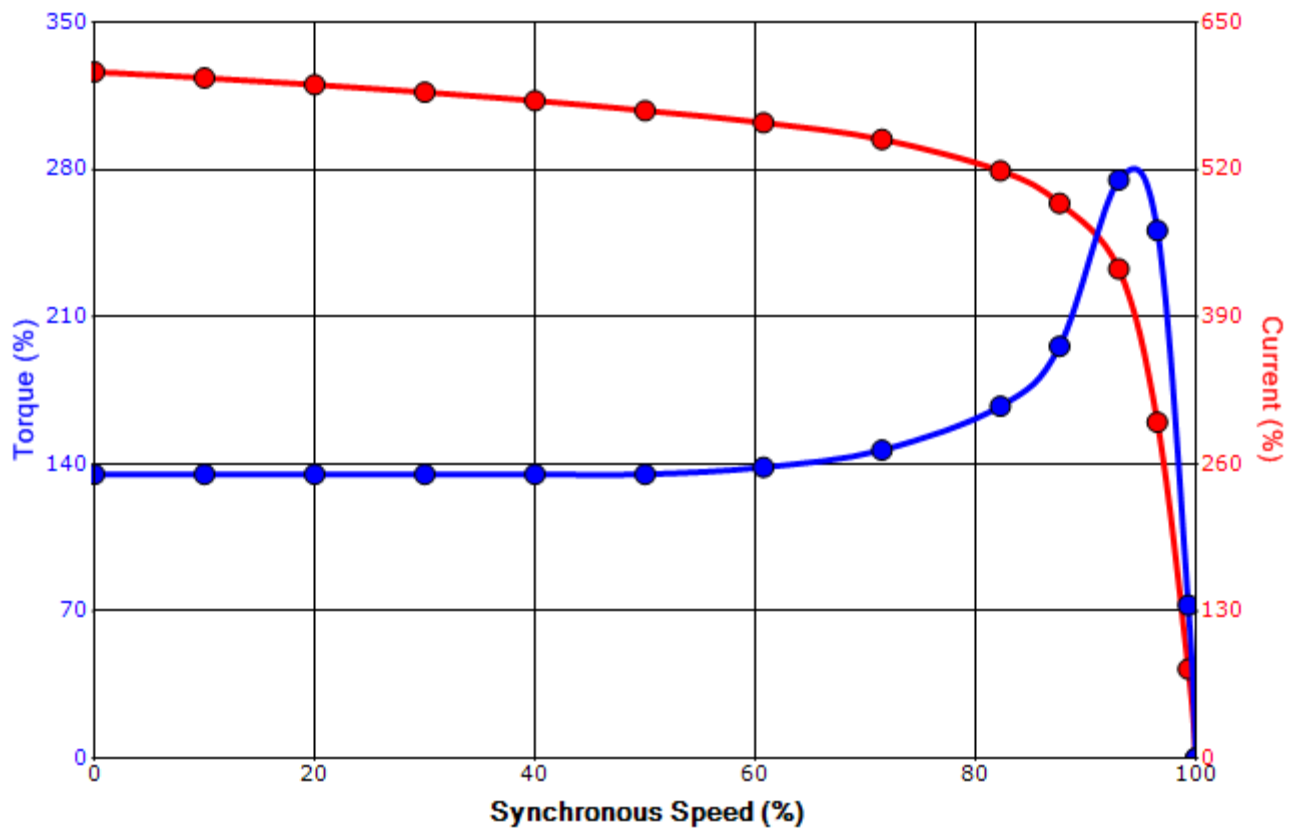
|             |           |                  |             |             |               |
|-------------|-----------|------------------|-------------|-------------|---------------|
| Engineering | bammen    | Doc. Written By  | D. Suarez   | Doc.# / Rev | MPCF-1119 / 0 |
| Engr. Date  | 7/14/2014 | Doc. Approved By | M. Campbell | Doc. Issued | 6/8/2011      |

**SPEED TORQUE/CURRENT CURVE**

Model: 5004WTAK11E-C

|                   |                                                     |                   |                  |             |                |             |          |                |
|-------------------|-----------------------------------------------------|-------------------|------------------|-------------|----------------|-------------|----------|----------------|
| HP                | kW                                                  | Pole              | FL RPM           | Frame       | Voltage        | Hz          | Phase    | FL Amps        |
| 500               | 373                                                 | 4                 | 1775             | 5012US      | 4000           | 60          | 3        | 65             |
| Enclosure         | IP                                                  | Ins. Class        | S.F.             | Duty        | NEMA Nom. Eff. | NEMA Design | kVA Code | Ambient (°C)   |
| WP-II             | 24                                                  | F                 | 1.15             | CONT        | 93             | B           | F        | 40 C           |
| Locked Rotor Amps | Rotor wk <sup>2</sup> Inertia (lb-ft <sup>2</sup> ) | Torque            |                  |             |                |             |          | Break Down (%) |
|                   |                                                     | Full Load (lb-ft) | Locked Rotor (%) | Pull Up (%) |                |             |          |                |
| 394.00            | 140.99                                              | 1480              | 135              | 135         |                |             | 275      |                |

**Design Values**



|             |  |                                                    |     |
|-------------|--|----------------------------------------------------|-----|
| Customer    |  | wk <sup>2</sup> Load Inertia (lb-ft <sup>2</sup> ) | -   |
| Customer PO |  | Load Type                                          | -   |
| Sales Order |  | Voltage (%)                                        | 100 |
| Project #   |  | Accel. Time                                        | -   |

Tag:

All characteristics are average expected values.

**TOSHIBA INTERNATIONAL CORPORATION · HOUSTON, TEXAS U.S.A.**

|             |           |                  |             |             |               |
|-------------|-----------|------------------|-------------|-------------|---------------|
| Engineering | bmammen   | Doc. Written By  | D. Suarez   | Doc.# / Rev | MPCF-1121 / 0 |
| Engr. Date  | 7/14/2014 | Doc. Approved By | M. Campbell | Doc. Issued | 6/8/2011      |