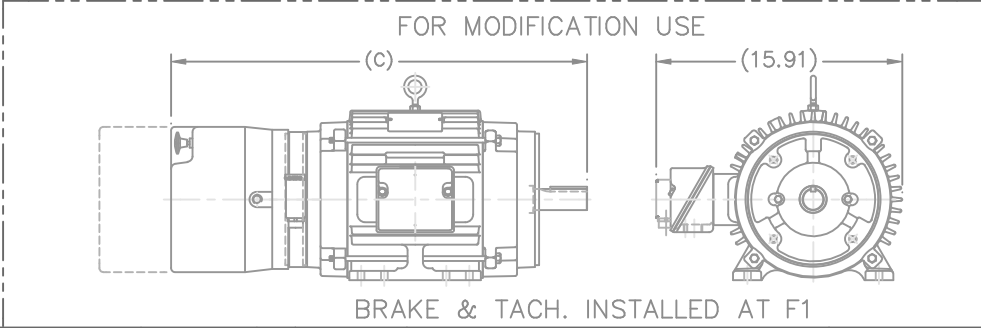


- NOTES:
1. CONDUIT BOX CAN BE ROTATED IN 90° STEPS.
 2. CONDUIT BOX CAN BE MOUNTED ON OPPOSITE SIDE BY
 3. NAMEPLATE TO BE READ FROM CONDUIT BOX



DASH	FRAME	C	AG	B	2F	2FF	BS	FOOT HOLE QTY.
875	213/5TC	27.58	16.40	8.50	7.00	-	3.50	4
875	213/5TC	27.58	16.40	8.50	7.00	5.50	3.50	8
1000	213/5TC	28.83	17.65	9.75	8.25	7.00	4.75	8

NO.		REVISION	BY & DATE	CHK	ANG	FINISH	CAD FILE		SIZE	DRAWING NO.	PAGE	REV.
8		UPDATED DRAWING	TJW 05/04/2007				ss88470		B	SS88470	1 OF 1	8
7		REVISED DASH 1000-FOOTHOLE CN29100-4873	RJW 10-24-2005	ML	DEC.	INCHES						
6		REVISED DASH TABLE & FOOT HOLE QTY. CN33822	RJW 05-12-2005	ML	.X	±						
5		ADDED NOTE NUMBER 4 CN32977	RJW 02-08-2005	ML	.XX	±						
4		ADD NOTE TO DETAIL & SEPARATE CN33633	RWR 10-07-2004	ML	.XXX	±						
3		-1000; 'B' DIM. WAS 8.50 NOW 9.75 CN 32026	DRS 01-14-2003	ML	.XXX	±						
THIS DRAWING IN DESIGN AND DETAIL IS OUR PROPERTY AND MUST NOT BE USED EXCEPT IN CONNECTION WITH OUR WORK ALL RIGHTS OF DESIGN AND INVENTION ARE RESERVED THIS IS AN ELECTRONICALLY GENERATED DOCUMENT - DO NOT SCALE THIS PRINT				RFP								
				DIST	LB							