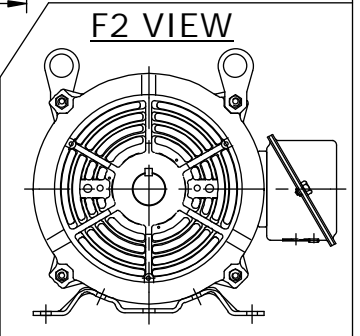


NOTES:

1. NAMEPLATE TO BE READ FROM C'BOX SIDE OF MOTOR.
2. BOX CAN BE MOUNTED IN 90° STEPS.
3. BOX CAN BE MOUNTED ON OPPOSITE SIDE BY REMOVING BRACKETS AND TURNING FRAME 180°. (EXCEPT AS NOTED.)



DASH	FR.	C	BS	MOUNTING
1115	213/15T	17.30	6.93	F1/F2
1240	213/15T	18.55	8.18	F1 ONLY

NO.	REVISION	BY & DATE	CHK	ANG	±7'30"	TOLERANCES UNLESS SPECIFIED		MARATHON ELECTRIC	DRAWN SMC 04-13-1993		
						DEC.	INCHES				
13	FOR FRAME 11.15 MOUNTING NOTE ADDED	UD 12/13/12	SR								
12	ADDED: F2 VIEW.	KVN 2/10/2009	SVL	DEC.	INCHES				CHK MOL 04-04-1993		
11	UPDATED DRAWING	TJW 04/27/2007		.X	±.1				APPD DRN 04-13-1993		
10	REM'VD. DASH 965 FROM SERIES CN38252	RWR 07-20-2004	ML	.XX	±.03	TITLE OUTLINE			SCALE 1=4		
9	REDRAWN IN AUTOCAD	TAT 06-29-2004	ML	.XXX	±.005	210 FR. - BB - TS - DR. PR.			REF		
8	REVISED 'C' DIMENSIONS CN 29200-817	NJS 08-29-2000	ML	.XXXX	±.0005	MAT'L.			FMF		
						FINISH			PREV		
THIS DRAWING IN DESIGN AND DETAIL IS OUR PROPERTY AND MUST NOT BE USED EXCEPT IN CONNECTION WITH OUR WORK ALL RIGHTS OF DESIGN AND INVENTION ARE RESERVED THIS IS AN ELECTRONICALLY GENERATED DOCUMENT - DO NOT SCALE THIS PRINT						RFP	CAD FILE ss86500		SIZE A	DRAWING NO. PAGE 1 OF 1	REV. 13
						DIST LB			SS86500		