



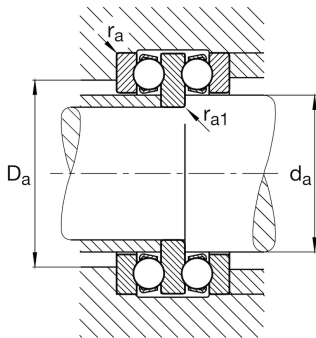
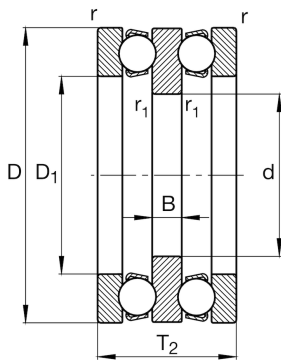
FAG

52409

Axial deep groove ball bearing

Schaeffler ID:
0190070600000Axial deep groove ball bearing 524, double
direction, steel sheet metal cage

Technical information



Main Dimensions & Performance Data

d	1,378 in	Inner diameter shaft washer
D	3,937 in	Outer diameter housing washer
T ₂	2,835 in	Height
C _a	27.652,878 lbf	Basic dynamic load rating, axial
C _{0a}	49.910,072 lbf	Basic static load rating, axial
C _{ua}	2.270,683 lbf	Fatigue load limit, axial
n _G	2.850 1/min	Limiting speed
n _{gr}	6.500 1/min	Reference speed
	5,825 lbs	Weight

Mounting dimensions

d _{a max}	1,772 in	Maximum diameter shaft shoulder
D _{a max}	2,638 in	Maximum diameter of housing shoulder
r _{a max}	0,039 in	Maximum fillet radius
r _{a1 max}	0,024 in	Maximum fillet radius

Dimensions

D ₁	1,85 in	Inner diameter housing washer
B	0,669 in	Height shaft washer
r _{min}	0,043 in	Minimum chamfer dimension
r _{1 min}	0,024 in	Minimum chamfer dimension

Temperature range

T _{min}	-22 °F	Operating temperature min.
T _{max}	302 °F	Operating temperature max.

Calculation factors

A	0,29	Minimum load factor
---	------	---------------------