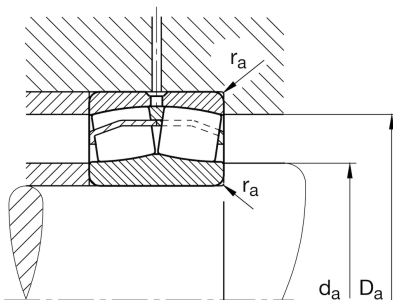
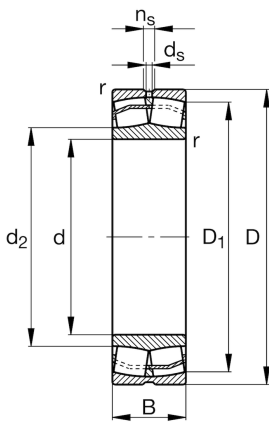
**21317-E1-XL-TVPB-C3**

Spherical Roller Bearing

Schaeffler ID:
0190002860030Spherical roller bearings 213...-E1, main
dimensions to DIN 635-2

Technical information

**Main Dimensions & Performance Data**

d	3,346 in	Bore diameter
D	7,087 in	Outside diameter
B	1,614 in	Width
C_r	77.562,95 lbf	Basic dynamic load rating, radial
C_{0r}	84.307,554 lbf	Basic static load rating, radial
C_{ur}	9.779,676 lbf	Fatigue load limit, radial
n_G	5.200 1/min	Limiting speed
n_{gr}	3.800 1/min	Reference speed
	11,107 lbs	{Weight}

Mounting dimensions

$d_{a \min}$	3,898 in	Minimum diameter shaft shoulder
$D_{a \max}$	6,535 in	Maximum diameter of housing shoulder
$r_{a \max}$	0,098 in	Maximum recess radius

Dimensions

r_{\min}	0,118 in	Minimum chamfer dimension
D_1	5,665 in	Bore diameter outer ring
d_2	4,177 in	Raceway diameter of the inner ring
d_s	0,189 in	Diameter lubrication hole
n_s	0,374 in	Width of lubricating groove

Temperature range

T_{\min}	-22 °F	Operating temperature min.
T_{\max}	248 °F	Operating temperature max.

Calculation factors

e	0,23	Limiting value of Fa/Fr for the applicability of diff. Values of factors X and Y
Y ₁	2,9	Dynamic axial load factor
Y ₂	4,31	Dynamic axial load factor
Y ₀	2,83	Static axial load factor