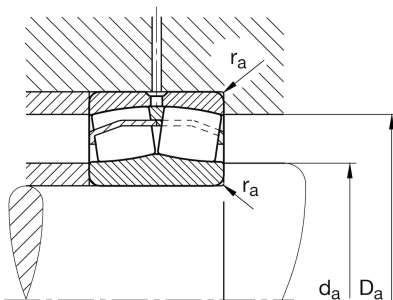
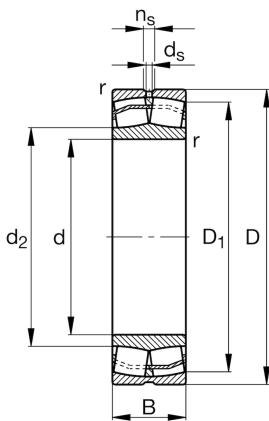
**22210-E1-XL-C3**

Spherical Roller Bearing

Schaeffler ID:
0167035290030Spherical roller bearings 222...-E1, main
dimensions to DIN 635-2

Technical information

**Main Dimensions & Performance Data**

d	1,969 in	Bore diameter
D	3,543 in	Outside diameter
B	0,906 in	Width
C_r	24.505,396 lbf	Basic dynamic load rating, radial
C_{0r}	24.055,755 lbf	Basic static load rating, radial
C_{ur}	3.282,374 lbf	Fatigue load limit, radial
n_G	9.800 1/min	Limiting speed
n_{gr}	5.100 1/min	Reference speed
	1,29 lbs	{Weight}

Mounting dimensions

$d_{a \min}$	2,244 in	Minimum diameter shaft shoulder
$D_{a \max}$	3,268 in	Maximum diameter of housing shoulder
$r_{a \max}$	0,039 in	Maximum recess radius

Dimensions

r_{\min}	0,043 in	Minimum chamfer dimension
D_1	3,181 in	Bore diameter outer ring
d_2	2,358 in	Raceway diameter of the inner ring
d_s	0,126 in	Diameter lubrication hole
n_s	0,189 in	Width of lubricating groove

Temperature range

T_{\min}	-22 °F	Operating temperature min.
T_{\max}	392 °F	Operating temperature max.

Calculation factors

e	0,23	Limiting value of Fa/Fr for the applicability of diff. Values of factors X and Y
Y ₁	2,95	Dynamic axial load factor
Y ₂	4,4	Dynamic axial load factor
Y ₀	2,89	Static axial load factor