



FAG

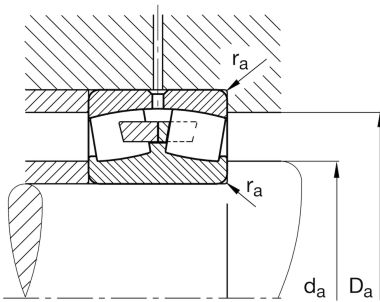
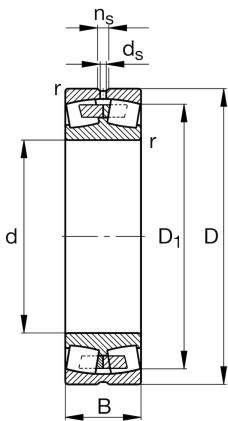
**22218-E1A-XL-M-C3**

Spherical Roller Bearing

Schaeffler ID:  
0190169560030Spherical roller bearing 222...-E1A-XL-M,  
symmetric 2 outer ribs

X-life

## Technical information



## Main Dimensions &amp; Performance Data

|          |                |                                   |
|----------|----------------|-----------------------------------|
| d        | 3,543 in       | Bore diameter                     |
| D        | 6,299 in       | Outside diameter                  |
| B        | 1,575 in       | Width                             |
| $C_r$    | 77.562,95 lbf  | Basic dynamic load rating, radial |
| $C_{0r}$ | 84.307,554 lbf | Basic static load rating, radial  |
| $C_{ur}$ | 9.779,676 lbf  | Fatigue load limit, radial        |
| $n_G$    | 5.200 1/min    | Limiting speed                    |
| $n_{gr}$ | 3.400 1/min    | Reference speed                   |
|          | 7,352 lbs      | Weight                            |

## Mounting dimensions

|              |          |                                      |
|--------------|----------|--------------------------------------|
| $d_{a\ min}$ | 3,976 in | Minimum diameter shaft shoulder      |
| $D_{a\ max}$ | 5,866 in | Maximum diameter of housing shoulder |
| $r_{a\ max}$ | 0,079 in | Maximum recess radius                |

## Dimensions

|             |          |                                    |
|-------------|----------|------------------------------------|
| $r_{\ min}$ | 0,079 in | Minimum chamfer dimension          |
| $D_1$       | 5,665 in | Bore diameter outer ring           |
| $d_2$       | 4,177 in | Raceway diameter of the inner ring |
| $d_s$       | 0,126 in | Diameter lubrication hole          |
| $n_s$       | 0,256 in | Width of lubricating groove        |

## Temperature range

|             |        |                            |
|-------------|--------|----------------------------|
| $T_{\ min}$ | -22 °F | Operating temperature min. |
| $T_{\ max}$ | 392 °F | Operating temperature max. |

**Calculation factors**

|                |      |                                                                                  |
|----------------|------|----------------------------------------------------------------------------------|
| e              | 0,23 | Limiting value of Fa/Fr for the applicability of diff. Values of factors X and Y |
| Y <sub>1</sub> | 2,9  | Dynamic axial load factor                                                        |
| Y <sub>2</sub> | 4,31 | Dynamic axial load factor                                                        |
| Y <sub>0</sub> | 2,83 | Static axial load factor                                                         |