



FAG

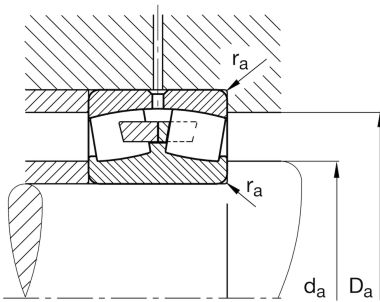
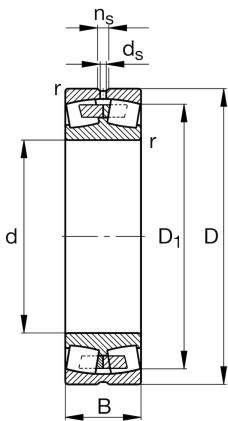
**22220-E1A-XL-M-C4**

Spherical Roller Bearing

Schaeffler ID:  
0190172000040Spherical roller bearing 222...-E1A-XL-M,  
symmetric 2 outer ribs

X-life

## Technical information



## Main Dimensions &amp; Performance Data

d	3,937 in	Bore diameter
D	7,087 in	Outside diameter
B	1,811 in	Width
$C_r$	96.672,662 lbf	Basic dynamic load rating, radial
$C_{0r}$	106.789,568 lbf	Basic static load rating, radial
$C_{ur}$	11.915,468 lbf	Fatigue load limit, radial
$n_G$	4.550 1/min	Limiting speed
$n_{gr}$	3.150 1/min	Reference speed
	10,849 lbs	Weight

## Mounting dimensions

$d_{a \min}$	4,409 in	Minimum diameter shaft shoulder
$D_{a \max}$	6,614 in	Maximum diameter of housing shoulder
$r_{a \max}$	0,083 in	Maximum recess radius

## Dimensions

$r_{\min}$	0,083 in	Minimum chamfer dimension
$D_1$	6,354 in	Bore diameter outer ring
$d_2$	4,685 in	Raceway diameter of the inner ring
$d_s$	0,189 in	Diameter lubrication hole
$n_s$	0,374 in	Width of lubricating groove

## Temperature range

$T_{\min}$	-22 °F	Operating temperature min.
$T_{\max}$	392 °F	Operating temperature max.

**Calculation factors**

e	0,24	Limiting value of Fa/Fr for the applicability of diff. Values of factors X and Y
Y <sub>1</sub>	2,84	Dynamic axial load factor
Y <sub>2</sub>	4,23	Dynamic axial load factor
Y <sub>0</sub>	2,78	Static axial load factor