

FAG

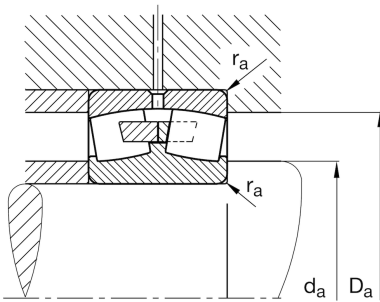
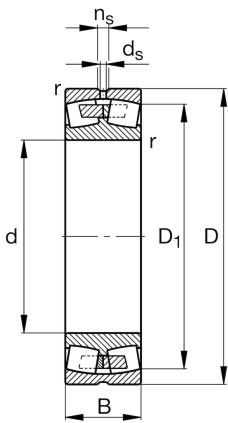
22222-E1A-XL-M

Spherical Roller Bearing

Schaeffler ID:
0190173750000Spherical roller bearing 222...-E1A-XL-M,
symmetric 2 outer ribs

X-life

Technical information



Main Dimensions & Performance Data

d	4,331 in	Bore diameter
D	7,874 in	Outside diameter
B	2,087 in	Width
C_r	123.651,079 lbf	Basic dynamic load rating, radial
C_{0r}	134.892,086 lbf	Basic static load rating, radial
C_{ur}	14.388,489 lbf	Fatigue load limit, radial
n_G	4.100 1/min	Limiting speed
n_{gr}	3.000 1/min	Reference speed
	15,523 lbs	Weight

Mounting dimensions

$d_{a\min}$	4,803 in	Minimum diameter shaft shoulder
$D_{a\max}$	7,402 in	Maximum diameter of housing shoulder
$r_{a\max}$	0,083 in	Maximum recess radius

Dimensions

r_{\min}	0,083 in	Minimum chamfer dimension
D_1	7,035 in	Bore diameter outer ring
d_2	5,094 in	Raceway diameter of the inner ring
d_s	0,189 in	Diameter lubrication hole
n_s	0,374 in	Width of lubricating groove

Temperature range

T_{\min}	-22 °F	Operating temperature min.
T_{\max}	392 °F	Operating temperature max.

Calculation factors

e	0,25	Limiting value of Fa/Fr for the applicability of diff. Values of factors X and Y
Y ₁	2,71	Dynamic axial load factor
Y ₂	4,04	Dynamic axial load factor
Y ₀	2,65	Static axial load factor