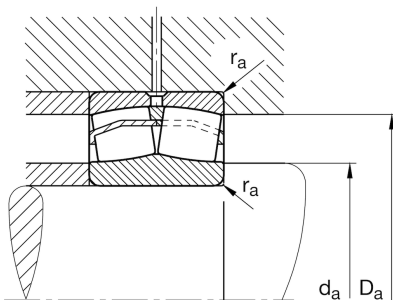
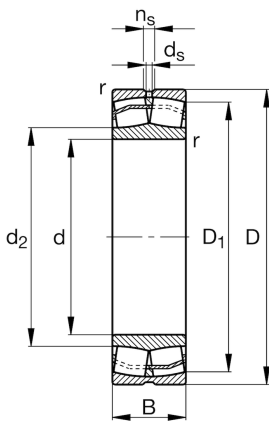
**22224-E1-XL-C3**

## Spherical Roller Bearing

Schaeffler ID:  
0167044280030Spherical roller bearings 222...-E1, main  
dimensions to DIN 635-2

## Technical information

**Main Dimensions & Performance Data**

d	4,724 in	Bore diameter
D	8,465 in	Outside diameter
B	2,283 in	Width
$C_r$	143.884,892 lbf	Basic dynamic load rating, radial
$C_{0r}$	166.366,906 lbf	Basic static load rating, radial
$C_{ur}$	16.411,871 lbf	Fatigue load limit, radial
$n_G$	3.650 1/min	Limiting speed
$n_{gr}$	2.700 1/min	Reference speed
	19,529 lbs	Weight

**Mounting dimensions**

$d_{a \min}$	5,197 in	Minimum diameter shaft shoulder
$D_{a \max}$	7,992 in	Maximum diameter of housing shoulder
$r_{a \max}$	0,083 in	Maximum recess radius

**Dimensions**

$r_{\min}$	0,083 in	Minimum chamfer dimension
$D_1$	7,559 in	Bore diameter outer ring
$d_2$	5,587 in	Raceway diameter of the inner ring
$d_s$	0,248 in	Diameter lubrication hole
$n_s$	0,48 in	Width of lubricating groove

**Temperature range**

$T_{\min}$	-22 °F	Operating temperature min.
$T_{\max}$	392 °F	Operating temperature max.

**Calculation factors**

e	0,25	Limiting value of Fa/Fr for the applicability of diff. Values of factors X and Y
Y <sub>1</sub>	2,71	Dynamic axial load factor
Y <sub>2</sub>	4,04	Dynamic axial load factor
Y <sub>0</sub>	2,65	Static axial load factor