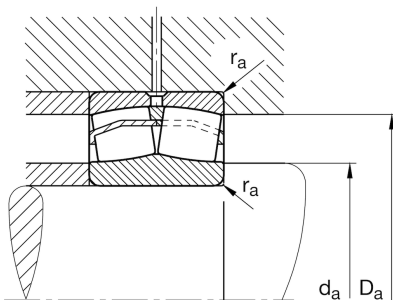
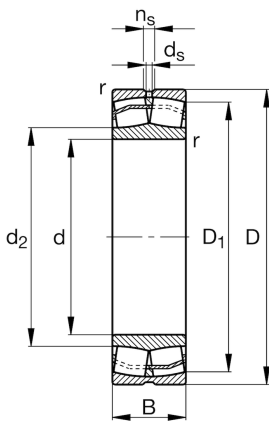
**22234-E1-XL-C3**

Spherical Roller Bearing

Schaeffler ID:
0190182400030Spherical roller bearings 222...-E1, main
dimensions to DIN 635-2

Technical information

**Main Dimensions & Performance Data**

d	6,693 in	Bore diameter
D	12,205 in	Outside diameter
B	3,386 in	Width
C_r	296.762,59 lbf	Basic dynamic load rating, radial
C_{0r}	352.967,626 lbf	Basic static load rating, radial
C_{ur}	32.374,101 lbf	Fatigue load limit, radial
n_G	2.550 1/min	Limiting speed
n_{gr}	1.780 1/min	Reference speed
	60,501 lbs	Weight

Mounting dimensions

$d_{a \min}$	7,362 in	Minimum diameter shaft shoulder
$D_{a \max}$	11,535 in	Maximum diameter of housing shoulder
$r_{a \max}$	0,118 in	Maximum recess radius

Dimensions

r_{\min}	0,157 in	Minimum chamfer dimension
D_1	10,843 in	Bore diameter outer ring
d_2	7,866 in	Raceway diameter of the inner ring
d_s	0,374 in	Diameter lubrication hole
n_s	0,697 in	Width of lubricating groove

Temperature range

T_{\min}	-22 °F	Operating temperature min.
T_{\max}	392 °F	Operating temperature max.

Calculation factors

e	0,26	Limiting value of Fa/Fr for the applicability of diff. Values of factors X and Y
Y ₁	2,6	Dynamic axial load factor
Y ₂	3,87	Dynamic axial load factor
Y ₀	2,54	Static axial load factor