

FAG

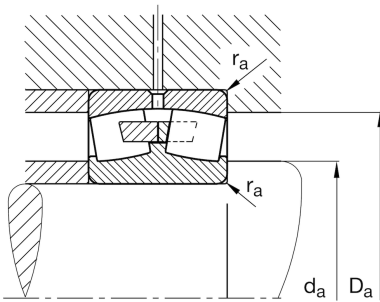
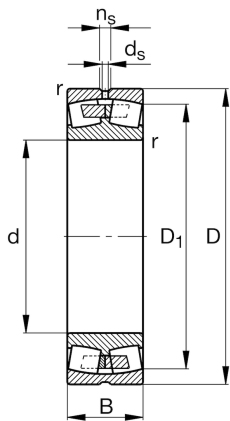
## 22312-E1A-XL-M

## Spherical Roller Bearing

Schaeffler ID:  
0190197500000Spherical roller bearing 223..-E1A-XL-M,  
symmetric 2 outer ribs

X-life

## Technical information



## Main Dimensions &amp; Performance Data

d	2,362 in	Bore diameter
D	5,118 in	Outside diameter
B	1,811 in	Width
$C_r$	69.694,245 lbf	Basic dynamic load rating, radial
$C_{0r}$	69.694,245 lbf	Basic static load rating, radial
$C_{ur}$	6.519,784 lbf	Fatigue load limit, radial
$n_G$	5.400 1/min	Limiting speed
$n_{gr}$	4.200 1/min	Reference speed
	6,338 lbs	Weight

## Mounting dimensions

$d_{a \min}$	2,835 in	Minimum diameter shaft shoulder
$D_{a \max}$	4,646 in	Maximum diameter of housing shoulder
$r_{a \max}$	0,083 in	Maximum recess radius

## Dimensions

$r_{\min}$	0,083 in	Minimum chamfer dimension
$D_1$	4,335 in	Bore diameter outer ring
$d_2$	2,945 in	Raceway diameter of the inner ring
$d_s$	0,126 in	Diameter lubrication hole
$n_s$	0,256 in	Width of lubricating groove

## Temperature range

$T_{\min}$	-22 °F	Operating temperature min.
$T_{\max}$	392 °F	Operating temperature max.

**Calculation factors**

e	0,35	Limiting value of Fa/Fr for the applicability of diff. Values of factors X and Y
Y <sub>1</sub>	1,91	Dynamic axial load factor
Y <sub>2</sub>	2,85	Dynamic axial load factor
Y <sub>0</sub>	1,87	Static axial load factor