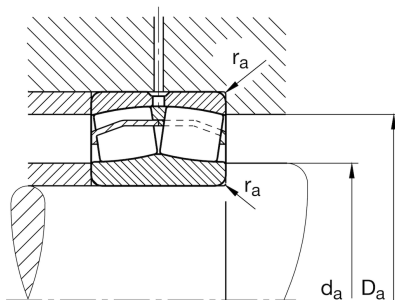
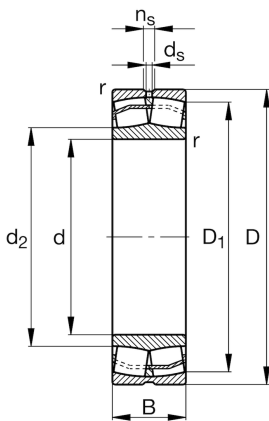
**22314-E1-XL-C4**

## Spherical Roller Bearing

Schaeffler ID:  
0190006850040Spherical roller bearings 223...-E1, main  
dimensions to DIN 635-2

## Technical information

**Main Dimensions & Performance Data**

d	2,756 in	Bore diameter
D	5,906 in	Outside diameter
B	2,008 in	Width
$C_r$	87.679,856 lbf	Basic dynamic load rating, radial
$C_{0r}$	87.679,856 lbf	Basic static load rating, radial
$C_{ur}$	8.430,755 lbf	Fatigue load limit, radial
$n_G$	4.800 1/min	Limiting speed
$n_{gr}$	3.700 1/min	Reference speed
	9,303 lbs	Weight

**Mounting dimensions**

$d_{a \min}$	3,228 in	Minimum diameter shaft shoulder
$D_{a \max}$	5,433 in	Maximum diameter of housing shoulder
$r_{a \max}$	0,083 in	Maximum recess radius

**Dimensions**

$r_{\min}$	0,083 in	Minimum chamfer dimension
$D_1$	5,039 in	Bore diameter outer ring
$d_2$	3,413 in	Raceway diameter of the inner ring
$d_s$	0,189 in	Diameter lubrication hole
$n_s$	0,374 in	Width of lubricating groove

**Temperature range**

$T_{\min}$	-22 °F	Operating temperature min.
$T_{\max}$	392 °F	Operating temperature max.

**Calculation factors**

e	0,34	Limiting value of Fa/Fr for the applicability of diff. Values of factors X and Y
Y <sub>1</sub>	2	Dynamic axial load factor
Y <sub>2</sub>	2,98	Dynamic axial load factor
Y <sub>0</sub>	1,96	Static axial load factor