

FAG

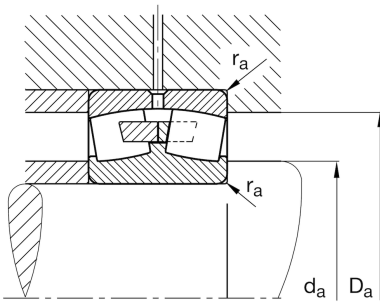
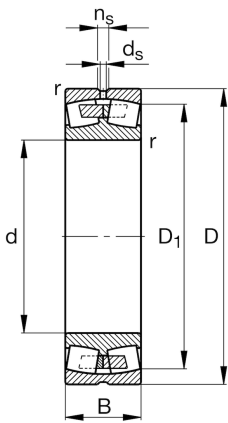
22318-E1A-XL-M-C3

Spherical Roller Bearing

Schaeffler ID:
0190209100030Spherical roller bearing 223..-E1A-XL-M,
symmetric 2 outer ribs

X-life

Technical information



Main Dimensions & Performance Data

| | | |
|----------|-----------------|-----------------------------------|
| d | 3,543 in | Bore diameter |
| D | 7,48 in | Outside diameter |
| B | 2,52 in | Width |
| C_r | 137.140,288 lbf | Basic dynamic load rating, radial |
| C_{0r} | 141.636,691 lbf | Basic static load rating, radial |
| C_{ur} | 12.589,928 lbf | Fatigue load limit, radial |
| n_G | 3.850 1/min | Limiting speed |
| n_{gr} | 3.000 1/min | Reference speed |
| | 18,362 lbs | Weight |

Mounting dimensions

| | | |
|--------------|----------|--------------------------------------|
| $d_{a \min}$ | 4,094 in | Minimum diameter shaft shoulder |
| $D_{a \max}$ | 6,929 in | Maximum diameter of housing shoulder |
| $r_{a \max}$ | 0,098 in | Maximum recess radius |

Dimensions

| | | |
|------------|----------|------------------------------------|
| r_{\min} | 0,118 in | Minimum chamfer dimension |
| D_1 | 6,398 in | Bore diameter outer ring |
| d_2 | 4,339 in | Raceway diameter of the inner ring |
| d_s | 0,248 in | Diameter lubrication hole |
| n_s | 0,48 in | Width of lubricating groove |

Temperature range

| | | |
|------------|--------|----------------------------|
| T_{\min} | -22 °F | Operating temperature min. |
| T_{\max} | 392 °F | Operating temperature max. |

Calculation factors

| | | |
|----------------|------|--|
| e | 0,33 | Limiting value of Fa/Fr for the applicability of diff. Values of factors X and Y |
| Y ₁ | 2,03 | Dynamic axial load factor |
| Y ₂ | 3,02 | Dynamic axial load factor |
| Y ₀ | 1,98 | Static axial load factor |