

FAG

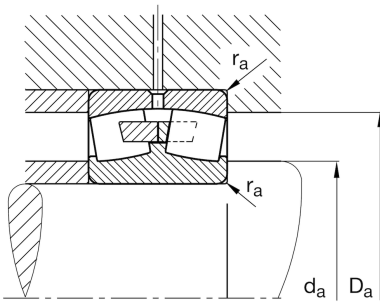
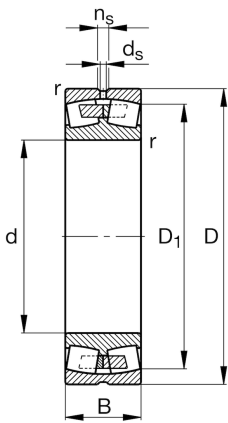
**22322-E1A-XL-M-C3**

## Spherical Roller Bearing

Schaeffler ID:  
0190215500030Spherical roller bearing 223...-E1A-XL-M,  
symmetric 2 outer ribs

X-life

## Technical information



## Main Dimensions &amp; Performance Data

d	4,331 in	Bore diameter
D	9,449 in	Outside diameter
B	3,15 in	Width
$C_r$	213.579,137 lbf	Basic dynamic load rating, radial
$C_{0r}$	240.557,554 lbf	Basic static load rating, radial
$C_{ur}$	20.908,273 lbf	Fatigue load limit, radial
$n_G$	3.000 1/min	Limiting speed
$n_{gr}$	2.130 1/min	Reference speed
	38,784 lbs	Weight

## Mounting dimensions

$d_{a\ min}$	4,882 in	Minimum diameter shaft shoulder
$D_{a\ max}$	8,898 in	Maximum diameter of housing shoulder
$r_{a\ max}$	0,098 in	Maximum recess radius

## Dimensions

$r_{\ min}$	0,118 in	Minimum chamfer dimension
$D_1$	8,067 in	Bore diameter outer ring
$d_2$	5,634 in	Raceway diameter of the inner ring
$d_s$	0,315 in	Diameter lubrication hole
$n_s$	0,591 in	Width of lubricating groove

## Temperature range

$T_{\ min}$	-22 °F	Operating temperature min.
$T_{\ max}$	392 °F	Operating temperature max.

**Calculation factors**

e	0,33	Limiting value of Fa/Fr for the applicability of diff. Values of factors X and Y
Y <sub>1</sub>	2,07	Dynamic axial load factor
Y <sub>2</sub>	3,09	Dynamic axial load factor
Y <sub>0</sub>	2,03	Static axial load factor