

FAG

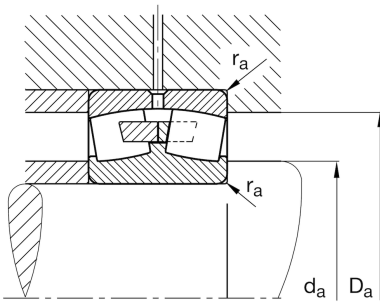
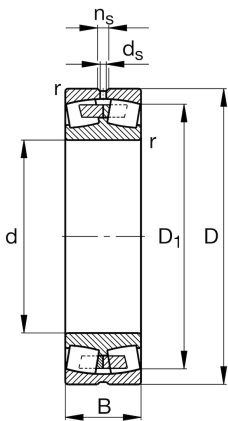
22326-E1A-XL-M-C3

Spherical Roller Bearing

Schaeffler ID:
0190220180030Spherical roller bearing 223..-E1A-XL-M,
symmetric 2 outer ribs

X-life

Technical information



Main Dimensions & Performance Data

d	5,118 in	Bore diameter
D	11,024 in	Outside diameter
B	3,661 in	Width
C_r	281.025,18 lbf	Basic dynamic load rating, radial
C_{0r}	308.003,597 lbf	Basic static load rating, radial
C_{ur}	26.978,417 lbf	Fatigue load limit, radial
n_G	2.650 1/min	Limiting speed
n_{gr}	1.820 1/min	Reference speed
	59,825 lbs	Weight

Mounting dimensions

$d_{a \min}$	5,787 in	Minimum diameter shaft shoulder
$D_{a \max}$	10,354 in	Maximum diameter of housing shoulder
$r_{a \max}$	0,118 in	Maximum recess radius

Dimensions

r_{\min}	0,157 in	Minimum chamfer dimension
D_1	9,429 in	Bore diameter outer ring
d_2	6,386 in	Raceway diameter of the inner ring
d_s	0,374 in	Diameter lubrication hole
n_s	0,697 in	Width of lubricating groove

Temperature range

T_{\min}	-22 °F	Operating temperature min.
T_{\max}	392 °F	Operating temperature max.

Calculation factors

e	0,33	Limiting value of Fa/Fr for the applicability of diff. Values of factors X and Y
Y ₁	2,06	Dynamic axial load factor
Y ₂	3,06	Dynamic axial load factor
Y ₀	2,01	Static axial load factor