

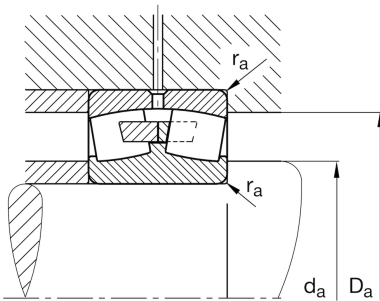
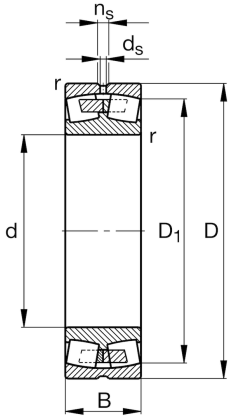
FAG

230/710-B-MB-C3

Spherical Roller Bearing

Schaeffler ID:
0190243980030Spherical roller bearing 230..-B-MB,
symmetric 3 ribs

Technical information



Main Dimensions & Performance Data

d	27,953 in	Bore diameter
D	40,551 in	Outside diameter
B	9,291 in	Width
C_r	1.708.633,094 lbf	Basic dynamic load rating, radial
C_{0r}	3.799.460,432 lbf	Basic static load rating, radial
C_{ur}	265.287,77 lbf	Fatigue load limit, radial
n_G	590 1/min	Limiting speed
n_{gr}	325 1/min	Reference speed
	1.459,458 lbs	Weight

Mounting dimensions

$d_{a \min}$	29,055 in	Minimum diameter shaft shoulder
$D_{a \max}$	39,449 in	Maximum diameter of housing shoulder
$r_{a \max}$	0,236 in	Maximum recess radius

Dimensions

r_{\min}	0,295 in	Minimum chamfer dimension
D_1	36,961 in	Bore diameter outer ring
d_s	0,492 in	Diameter lubrication hole
n_s	0,925 in	Width of lubricating groove

Temperature range

T_{\min}	-22 °F	Operating temperature min.
T_{\max}	392 °F	Operating temperature max.

Calculation factors

e	0,22	Limiting value of F_a/F_r for the applicability of diff. Values of factors X and Y
Y_1	3,07	Dynamic axial load factor
Y_2	4,57	Dynamic axial load factor
Y_0	3	Static axial load factor