



FAG

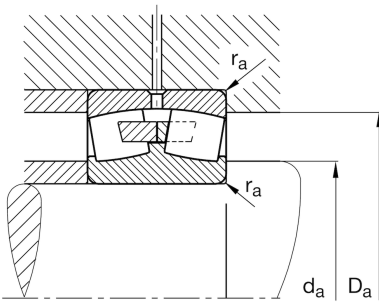
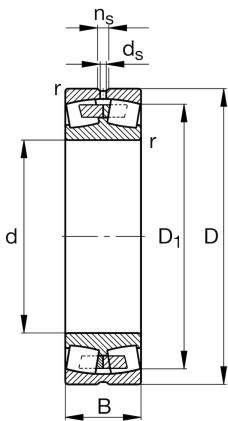
23032-E1A-XL-M-C4

Spherical Roller Bearing

Schaeffler ID:
0167066250040Spherical roller bearings 230..-E1A, main
dimensions to DIN 635-2

X-life

Technical information



Main Dimensions & Performance Data

d	6,299 in	Bore diameter
D	9,449 in	Outside diameter
B	2,362 in	Width
C_r	161.870,504 lbf	Basic dynamic load rating, radial
C_{0r}	227.068,345 lbf	Basic static load rating, radial
C_{ur}	22.032,374 lbf	Fatigue load limit, radial
n_G	3.050 1/min	Limiting speed
n_{gr}	2.060 1/min	Reference speed
	20,463 lbs	Weight

Mounting dimensions

$d_{a \min}$	6,701 in	Minimum diameter shaft shoulder
$D_{a \max}$	9,047 in	Maximum diameter of housing shoulder
$r_{a \max}$	0,083 in	Maximum recess radius

Dimensions

r_{\min}	0,083 in	Minimum chamfer dimension
D_1	8,657 in	Bore diameter outer ring
d_s	0,248 in	Diameter lubrication hole
n_s	0,48 in	Width of lubricating groove

Temperature range

T_{\min}	-22 °F	Operating temperature min.
T_{\max}	392 °F	Operating temperature max.

Calculation factors

e	0,22	Limiting value of Fa/Fr for the applicability of diff. Values of factors X and Y
Y ₁	3,1	Dynamic axial load factor
Y ₂	4,62	Dynamic axial load factor
Y ₀	3,03	Static axial load factor