

FAG

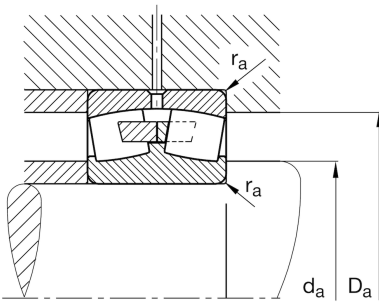
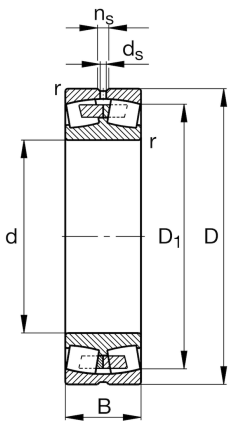
**23124-E1A-XL-M-C4**

## Spherical Roller Bearing

Schaeffler ID:  
0190306810040Spherical roller bearings 231...-E1A, main  
dimensions to DIN 635-2

X-life

## Technical information



## Main Dimensions &amp; Performance Data

d	4,724 in	Bore diameter
D	7,874 in	Outside diameter
B	2,441 in	Width
$C_r$	141.636,691 lbf	Basic dynamic load rating, radial
$C_{0r}$	179.856,115 lbf	Basic static load rating, radial
$C_{ur}$	16.636,691 lbf	Fatigue load limit, radial
$n_G$	3.400 1/min	Limiting speed
$n_{gr}$	2.290 1/min	Reference speed
	16,976 lbs	Weight

## Mounting dimensions

$d_{a \min}$	5,157 in	Minimum diameter shaft shoulder
$D_{a \max}$	7,441 in	Maximum diameter of housing shoulder
$r_{a \max}$	0,079 in	Maximum recess radius

## Dimensions

$r_{\min}$	0,079 in	Minimum chamfer dimension
$D_1$	6,984 in	Bore diameter outer ring
$d_s$	0,189 in	Diameter lubrication hole
$n_s$	0,374 in	Width of lubricating groove

## Temperature range

$T_{\min}$	-22 °F	Operating temperature min.
$T_{\max}$	392 °F	Operating temperature max.

**Calculation factors**

e	0,28	Limiting value of Fa/Fr for the applicability of diff. Values of factors X and Y
Y <sub>1</sub>	2,39	Dynamic axial load factor
Y <sub>2</sub>	3,56	Dynamic axial load factor
Y <sub>0</sub>	2,34	Static axial load factor