



FAG

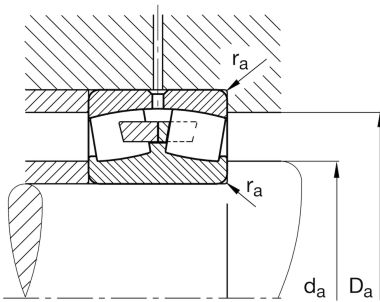
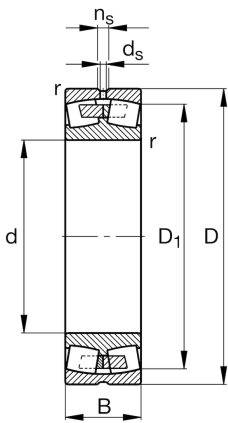
23132-E1A-XL-M-C4

Spherical Roller Bearing

Schaeffler ID:
0190315560040Spherical roller bearings 231...-E1A, main
dimensions to DIN 635-2

X-life

Technical information



Main Dimensions & Performance Data

d	6,299 in	Bore diameter
D	10,63 in	Outside diameter
B	3,386 in	Width
C_r	260.791,367 lbf	Basic dynamic load rating, radial
C_{0r}	348.471,223 lbf	Basic static load rating, radial
C_{ur}	37.320,144 lbf	Fatigue load limit, radial
n_G	2.490 1/min	Limiting speed
n_{gr}	1.560 1/min	Reference speed
	44,315 lbs	Weight

Mounting dimensions

$d_{a \min}$	6,772 in	Minimum diameter shaft shoulder
$D_{a \max}$	10,157 in	Maximum diameter of housing shoulder
$r_{a \max}$	0,083 in	Maximum recess radius

Dimensions

r_{\min}	0,083 in	Minimum chamfer dimension
D_1	9,382 in	Bore diameter outer ring
d_s	0,315 in	Diameter lubrication hole
n_s	0,591 in	Width of lubricating groove

Temperature range

T_{\min}	-22 °F	Operating temperature min.
T_{\max}	392 °F	Operating temperature max.

Calculation factors

e	0,29	Limiting value of Fa/Fr for the applicability of diff. Values of factors X and Y
Y ₁	2,32	Dynamic axial load factor
Y ₂	3,45	Dynamic axial load factor
Y ₀	2,26	Static axial load factor