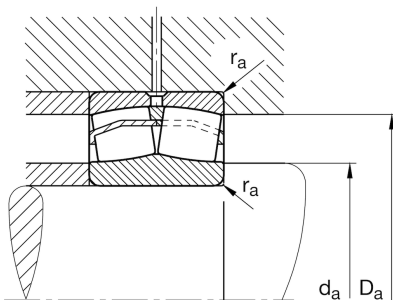
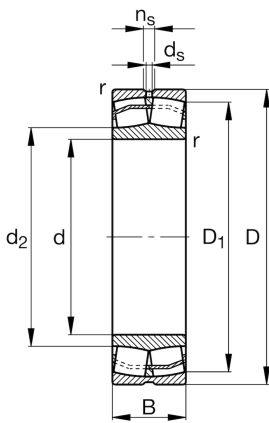
**23222-E1-XL-TVPB-C3**

Spherical Roller Bearing

Schaeffler ID:
0190015920030Spherical roller bearings 232...-E1, main
dimensions to DIN 635-2

Technical information

**Main Dimensions & Performance Data**

d	4,331 in	Bore diameter
D	7,874 in	Outside diameter
B	2,748 in	Width
C_r	159.622,302 lbf	Basic dynamic load rating, radial
C_{0r}	195.593,525 lbf	Basic static load rating, radial
C_{ur}	16.411,871 lbf	Fatigue load limit, radial
n_G	3.250 1/min	Limiting speed
n_{gr}	2.100 1/min	Reference speed
	20,069 lbs	Weight

Mounting dimensions

$d_{a \min}$	4,803 in	Minimum diameter shaft shoulder
$D_{a \max}$	7,402 in	Maximum diameter of housing shoulder
$r_{a \max}$	0,083 in	Maximum recess radius

Dimensions

r_{\min}	0,083 in	Minimum chamfer dimension
D_1	6,799 in	Bore diameter outer ring
d_2	5,083 in	Raceway diameter of the inner ring
d_s	0,189 in	Diameter lubrication hole
n_s	0,374 in	Width of lubricating groove

Temperature range

T_{\min}	-22 °F	Operating temperature min.
T_{\max}	248 °F	Operating temperature max.

Calculation factors

e	0,33	Limiting value of Fa/Fr for the applicability of diff. Values of factors X and Y
Y ₁	2,06	Dynamic axial load factor
Y ₂	3,06	Dynamic axial load factor
Y ₀	2,01	Static axial load factor