

FAG

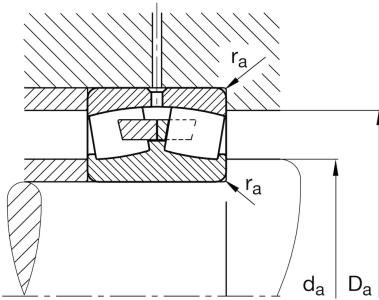
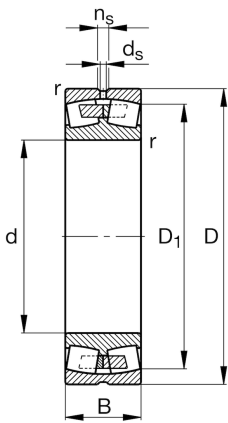
23228-E1A-XL-M-C3

Spherical Roller Bearing

Schaeffler ID:
0190359690030Spherical roller bearings 232...-E1A, main
dimensions to DIN 635-2

X-life

Technical information



Main Dimensions & Performance Data

d	5,512 in	Bore diameter
D	9,843 in	Outside diameter
B	3,465 in	Width
C_r	245.053,957 lbf	Basic dynamic load rating, radial
C_{0r}	314.748,201 lbf	Basic static load rating, radial
C_{ur}	26.079,137 lbf	Fatigue load limit, radial
n_G	2.600 1/min	Limiting speed
n_{gr}	1.550 1/min	Reference speed
	33,735 lbs	Weight

Mounting dimensions

$d_{a \min}$	6,063 in	Minimum diameter shaft shoulder
$D_{a \max}$	9,291 in	Maximum diameter of housing shoulder
$r_{a \max}$	0,098 in	Maximum recess radius

Dimensions

r_{\min}	0,118 in	Minimum chamfer dimension
D_1	8,504 in	Bore diameter outer ring
d_s	0,248 in	Diameter lubrication hole
n_s	0,48 in	Width of lubricating groove

Temperature range

T_{\min}	-22 °F	Operating temperature min.
T_{\max}	392 °F	Operating temperature max.

Calculation factors

e	0,33	Limiting value of Fa/Fr for the applicability of diff. Values of factors X and Y
Y ₁	2,04	Dynamic axial load factor
Y ₂	3,04	Dynamic axial load factor
Y ₀	2	Static axial load factor