

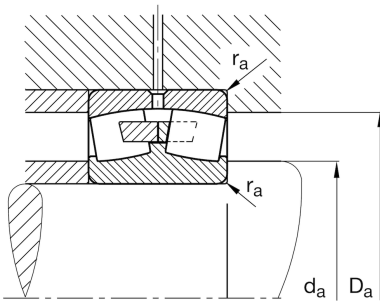
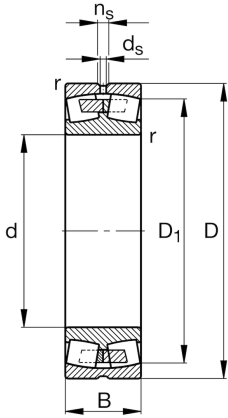
FAG

23956-MB-C3

Spherical Roller Bearing

Schaeffler ID:
0167090200030Spherical roller bearing 239..-MB,
symmetric 3 ribs

Technical information

**Main Dimensions & Performance Data**

d	11,024 in	Bore diameter
D	14,961 in	Outside diameter
B	2,953 in	Width
C_r	218.075,54 lbf	Basic dynamic load rating, radial
C_{0r}	458.633,094 lbf	Basic static load rating, radial
C_{ur}	29.901,079 lbf	Fatigue load limit, radial
n_G	2.000 1/min	Limiting speed
n_{gr}	1.100 1/min	Reference speed
	54,542 lbs	Weight

Mounting dimensions

$d_{a \min}$	11,425 in	Minimum diameter shaft shoulder
$D_{a \max}$	14,559 in	Maximum diameter of housing shoulder
$r_{a \max}$	0,083 in	Maximum recess radius

Dimensions

r_{\min}	0,083 in	Minimum chamfer dimension
D_1	13,78 in	Bore diameter outer ring
d_s	0,315 in	Diameter lubrication hole
n_s	0,591 in	Width of lubricating groove

Temperature range

T_{\min}	-22 °F	Operating temperature min.
T_{\max}	392 °F	Operating temperature max.

Calculation factors

e	0,18	Limiting value of F_a/F_r for the applicability of diff. Values of factors X and Y
Y_1	3,76	Dynamic axial load factor
Y_2	5,59	Dynamic axial load factor
Y_0	3,67	Static axial load factor