

FAG

3202-BD-XL-TVH-L285

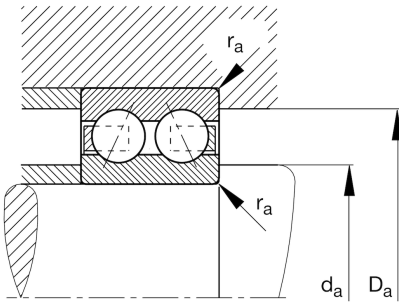
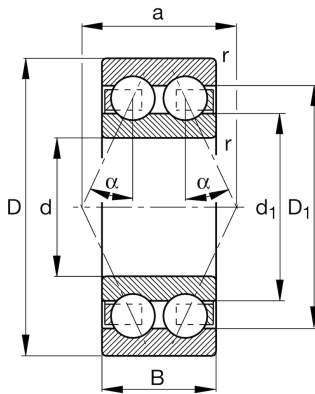
Angular contact ball bearing

Schaeffler ID:
0702179980000

Angular contact ball bearing 32..-BD-XL-TVH, double row, X-life, plastic cage

X-life

Technical information



Main Dimensions & Performance Data

d	0,591 in	Bore diameter
D	1,378 in	Outside diameter
B	0,626 in	Width
C_r	2.832,734 lbf	Basic dynamic load rating, radial
C_{0r}	1.663,669 lbf	Basic static load rating, radial
C_{ur}	116,906 lbf	Fatigue load limit, radial
n_G	16.700 1/min	Limiting speed
n_{gr}	18.500 1/min	Reference speed
	0,139 lbs	Weight

Mounting dimensions

$d_{a \min}$	0,756 in	Minimum diameter shaft shoulder
$D_{a \max}$	1,213 in	Maximum diameter of housing shoulder
$r_{a \max}$	0,024 in	Maximum fillet radius

Dimensions

r_{\min}	0,024 in	Minimum chamfer dimension
D_1	1,157 in	Shoulder diameter outer ring
d_1	0,874 in	Shoulder diameter inner ring
a	0,815 in	Distance between the apexes of the pressure cones
α	30 °	Contact angle

Temperature range

T_{\min}	-4 °F	Operating temperature min.
T_{\max}	248 °F	Operating temperature max.