

FAG

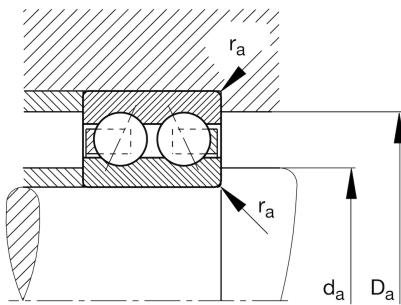
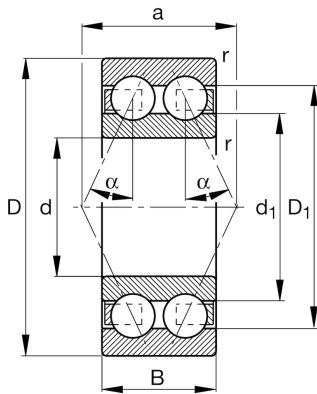
3311-BD-XL-C3

Angular contact ball bearing

Schaeffler ID:
0713249760030Angular contact ball bearing 33..-BD-XL,
double row, X-life, steel sheet metal cage

X-life

Technical information



Main Dimensions & Performance Data

d	2,165 in	Bore diameter
D	4,724 in	Outside diameter
B	1,937 in	Width
C_r	26.079,137 lbf	Basic dynamic load rating, radial
C_{0r}	19.784,173 lbf	Basic static load rating, radial
C_{ur}	1.371,403 lbf	Fatigue load limit, radial
n_G	5.800 1/min	Limiting speed
n_{gr}	5.900 1/min	Reference speed
	5,093 lbs	Weight

Mounting dimensions

$d_{a \min}$	2,598 in	Minimum diameter shaft shoulder
$D_{a \max}$	4,291 in	Maximum diameter of housing shoulder
$r_{a \max}$	0,079 in	Maximum fillet radius

Dimensions

r_{\min}	0,079 in	Minimum chamfer dimension
D_1	4,067 in	Shoulder diameter outer ring
d_1	3,102 in	Shoulder diameter inner ring
a	2,811 in	Distance between the apexes of the pressure cones
α	30 °	Contact angle

Temperature range

T_{\min}	-22 °F	Operating temperature min.
T_{\max}	302 °F	Operating temperature max.