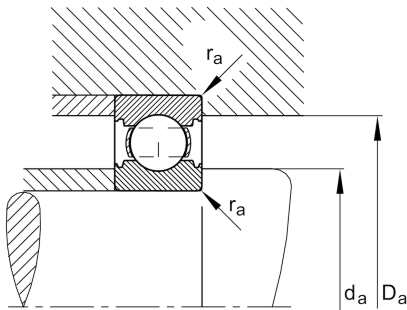
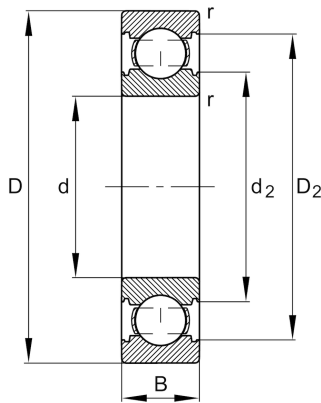


**FAG****6000-C-C3**

Deep groove ball bearing

Schaeffler ID:
0613450080030Deep groove ball bearing 60...-C, single
row, Generation C, steel sheet metal cage

Technical information

**Main Dimensions & Performance Data**

d	0,394 in	Bore diameter
D	1,024 in	Outside diameter
B	0,315 in	Width
C_r	1.191,547 lbf	Basic dynamic load rating, radial
C_{0r}	442,896 lbf	Basic static load rating, radial
C_{ur}	30,576 lbf	Fatigue load limit, radial
n_G	44.500 1/min	Limiting speed
n_{gr}	30.000 1/min	Reference speed
	0,037 lbs	$\{Weight\}$

Mounting dimensions

$d_{a \min}$	0,472 in	Minimum diameter shaft shoulder
$D_{a \max}$	0,945 in	Maximum diameter of housing shoulder
$r_{a \max}$	0,012 in	Maximum fillet radius

Dimensions

r_{\min}	0,012 in	Minimum chamfer dimension
D_2	0,909 in	Caliber diameter outer ring
d_2	0,539 in	Caliber diameter inner ring

Temperature range

T_{\min}	-22 °F	Operating temperature min.
T_{\max}	248 °F	Operating temperature max.

Calculation factors

f_0	12,4	Calculation factor
-------	------	--------------------