

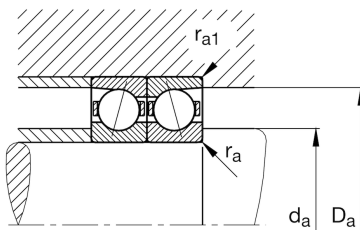
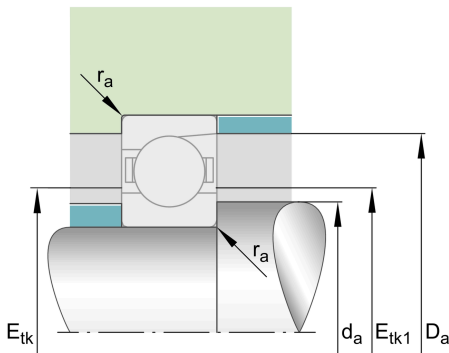
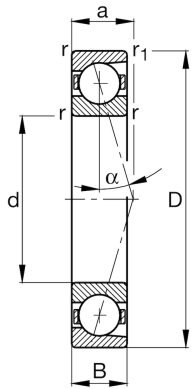
FAG

B7018-E-T-P4S-UL

Spindle bearing

Schaeffler ID:
0191522300000Spindle bearings B70...-E, adjusted, in pairs or sets, contact angle $\alpha = 25^\circ$, restricted tolerances

Technical information

**Main Dimensions & Performance Data**

d	3,543 in	Bore diameter
D	5,512 in	Outside diameter
B	0,945 in	Width
C_r	16.636,691 lbf	Basic dynamic load rating, radial
C_{0r}	10.903,777 lbf	Basic static load rating, radial
C_{ur}	1.079,137 lbf	Fatigue load limit, radial
$n_{G \text{ Grease}}$	9.000 1/min	Limiting speed for grease lubrication
$n_{G \text{ Oil}}$	14.000 1/min	Limiting speed for oil lubrication
	2,513 lbs	Weight

Mounting dimensions

d_a	3,937 in	Diameter shaft shoulder
d_a	h12	Diameter shaft shoulder clearance
D_a	5,157 in	Shoulder diameter outer ring
D_a	H12	Shoulder diameter outer ring clearance
$r_{a \text{ max}}$	0,059 in	Maximum recess radius
$r_{a1 \text{ max}}$	0,024 in	Maximum recess radius
$E_{tk \text{ min}}$	4,154 in	Minimum diameter injection pitch
$E_{tk \text{ max}}$	4,366 in	Maximum diameter injection pitch
$E_{tk1 \text{ min}}$	4,154 in	Minimum diameter injection pitch
$E_{tk1 \text{ max}}$	4,366 in	Maximum diameter injection pitch
a	1,528 in	Distance between the apexes of the pressure cones

Dimensions

r_{min}	0,059 in	Minimum chamfer dimension
$r_{1 \text{ min}}$	0,059 in	Minimum chamfer dimension
α	25 °	Contact angle

Temperature range

T_{\min}	-22 °F	Operating temperature min.
T_{\max}	212 °F	Operating temperature max.

Additional information

F_{VL}	145,234 lbf	Preload force light
F_{VM}	495,728 lbf	Preload force medium
F_{VH}	1.031,924 lbf	Preload force heavy
K_{aEL}	422,662 lbf	Lift-off force light
K_{aEM}	1.491,906 lbf	Lift-off force medium
K_{aEH}	3.207,959 lbf	Lift-off force heavy
c_{aL}	223 N/μm	Axial rigidity light
c_{aM}	355 N/μm	Axial rigidity medium
c_{aH}	479 N/μm	Axial rigidity heavy