

FAG

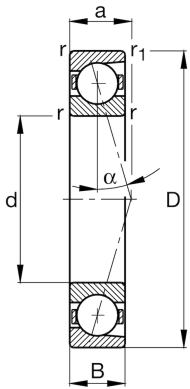
B7022-E-T-P4S-UL

Spindle bearing

Schaeffler ID:
0167275760000

Spindle bearings B70...-E, adjusted, in pairs or sets, contact angle $\alpha = 25^\circ$, restricted tolerances

Technical information



Main Dimensions & Performance Data

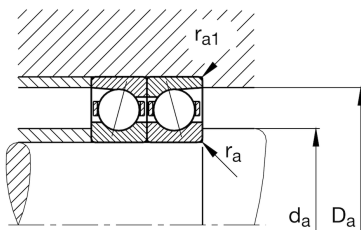
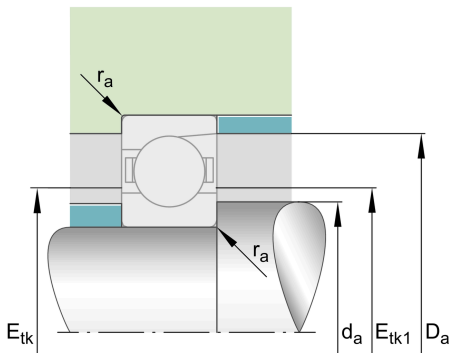
d	4,331 in	Bore diameter
D	6,693 in	Outside diameter
B	1,102 in	Width
C_r	23.830,935 lbf	Basic dynamic load rating, radial
C_{0r}	16.411,871 lbf	Basic static load rating, radial
C_{ur}	1.483,813 lbf	Fatigue load limit, radial
$n_{G \text{ Grease}}$	7.500 1/min	Limiting speed for grease lubrication
$n_{G \text{ Oil}}$	12.000 1/min	Limiting speed for oil lubrication
	4,244 lbs	Weight

Mounting dimensions

d_a	4,764 in	Diameter shaft shoulder
d_a	h12	Diameter shaft shoulder clearance
D_a	6,26 in	Shoulder diameter outer ring
D_a	H12	Shoulder diameter outer ring clearance
$r_{a \text{ max}}$	0,079 in	Maximum recess radius
$r_{a1 \text{ max}}$	0,039 in	Maximum recess radius
$E_{tk \text{ min}}$	5,063 in	Minimum diameter injection pitch
$E_{tk \text{ max}}$	5,319 in	Maximum diameter injection pitch
$E_{tk1 \text{ min}}$	5,063 in	Minimum diameter injection pitch
$E_{tk1 \text{ max}}$	5,319 in	Maximum diameter injection pitch
a	1,835 in	Distance between the apices of the pressure cones

Dimensions

r_{min}	0,079 in	Minimum chamfer dimension
$r_{1 \text{ min}}$	0,079 in	Minimum chamfer dimension
α	25 °	Contact angle



Temperature range

T_{\min}	-22 °F	Operating temperature min.
T_{\max}	212 °F	Operating temperature max.

Additional information

F_{VL}	217,626 lbf	Preload force light
F_{VM}	728,867 lbf	Preload force medium
F_{VH}	1.508,318 lbf	Preload force heavy
K_{aEL}	633,993 lbf	Lift-off force light
K_{aEM}	2.190,872 lbf	Lift-off force medium
K_{aEH}	4.679,406 lbf	Lift-off force heavy
c_{aL}	280 N/μm	Axial rigidity light
c_{aM}	443 N/μm	Axial rigidity medium
c_{aH}	596 N/μm	Axial rigidity heavy