



FAG

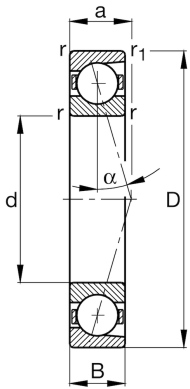
B7026-C-T-P4S-UL

Spindle bearing

Schaeffler ID:
0191528170000

Spindle bearings B70...-C, adjusted, in pairs or sets, contact angle $\alpha = 15^\circ$, restricted tolerances

Technical information



Main Dimensions & Performance Data

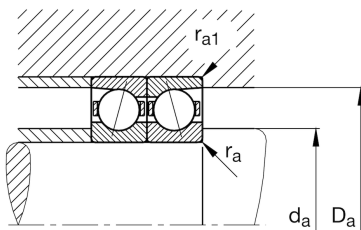
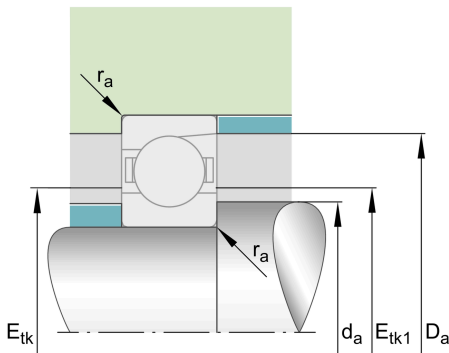
d	5,118 in	Bore diameter
D	7,874 in	Outside diameter
B	1,299 in	Width
C_r	33.498,201 lbf	Basic dynamic load rating, radial
C_{0r}	24.055,755 lbf	Basic static load rating, radial
C_{ur}	1.978,417 lbf	Fatigue load limit, radial
$n_{G\text{ Grease}}$	6.700 1/min	Limiting speed for grease lubrication
$n_{G\text{ Oil}}$	10.000 1/min	Limiting speed for oil lubrication
	6,856 lbs	Weight

Mounting dimensions

d_a	5,591 in	Diameter shaft shoulder
d_a	h12	Diameter shaft shoulder clearance
D_a	7,441 in	Shoulder diameter outer ring
D_a	H12	Shoulder diameter outer ring clearance
$r_{a\text{ max}}$	0,079 in	Maximum recess radius
$r_{a1\text{ max}}$	0,039 in	Maximum recess radius
$E_{tk\text{ min}}$	5,969 in	Minimum diameter injection pitch
$E_{tk\text{ max}}$	6,272 in	Maximum diameter injection pitch
$E_{tk1\text{ min}}$	5,969 in	Minimum diameter injection pitch
$E_{tk1\text{ max}}$	6,272 in	Maximum diameter injection pitch
a	1,52 in	Distance between the apexes of the pressure cones

Dimensions

r_{min}	0,079 in	Minimum chamfer dimension
$r_{1\text{ min}}$	0,079 in	Minimum chamfer dimension
α	15 °	Contact angle



Temperature range

T_{\min}	-22 °F	Operating temperature min.
T_{\max}	212 °F	Operating temperature max.

Additional information

F_{VL}	191,097 lbf	Preload force light
F_{VM}	600,045 lbf	Preload force medium
F_{VH}	1.194,694 lbf	Preload force heavy
K_{aEL}	588,129 lbf	Lift-off force light
K_{aEM}	1.988,759 lbf	Lift-off force medium
K_{aEH}	4.220,549 lbf	Lift-off force heavy
c_{aL}	137 N/μm	Axial rigidity light
c_{aM}	229 N/μm	Axial rigidity medium
c_{aH}	324 N/μm	Axial rigidity heavy