



FAG

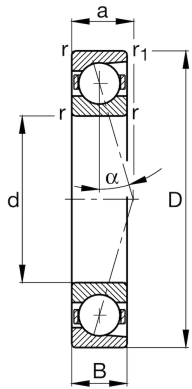
B7040-E-T-P4S-UL

Spindle bearing

Schaeffler ID:
0384346440000

Spindle bearings B70...-E, adjusted, in pairs or sets, contact angle $\alpha = 25^\circ$, restricted tolerances

Technical information



Main Dimensions & Performance Data

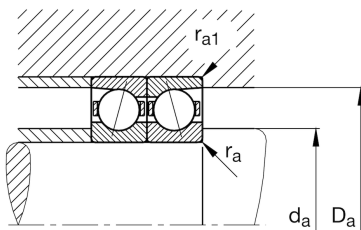
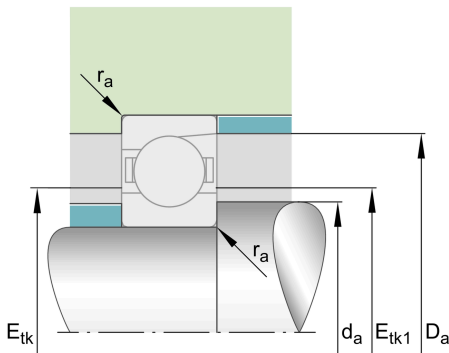
d	7,874 in	Bore diameter
D	12,205 in	Outside diameter
B	2,008 in	Width
C_r	66.321,942 lbf	Basic dynamic load rating, radial
C_{0r}	58.453,237 lbf	Basic static load rating, radial
C_{ur}	3.866,906 lbf	Fatigue load limit, radial
$n_{G \text{ Grease}}$	3.800 1/min	Limiting speed for grease lubrication
$n_{G \text{ Oil}}$	6.000 1/min	Limiting speed for oil lubrication
	25,236 lbs	Weight

Mounting dimensions

d_a	8,543 in	Diameter shaft shoulder
d_a	h12	Diameter shaft shoulder clearance
D_a	11,535 in	Shoulder diameter outer ring
D_a	H12	Shoulder diameter outer ring clearance
$r_{a \text{ max}}$	0,083 in	Maximum recess radius
$r_{a1 \text{ max}}$	0,039 in	Maximum recess radius
$E_{tk \text{ min}}$	9,138 in	Minimum diameter injection pitch
$E_{tk \text{ max}}$	9,661 in	Maximum diameter injection pitch
$E_{tk1 \text{ min}}$	9,138 in	Minimum diameter injection pitch
$E_{tk1 \text{ max}}$	9,661 in	Maximum diameter injection pitch
a	3,346 in	Distance between the apices of the pressure cones

Dimensions

r_{min}	0,083 in	Minimum chamfer dimension
$r_{1 \text{ min}}$	0,083 in	Minimum chamfer dimension
α	25 °	Contact angle



Temperature range

T_{\min}	-22 °F	Operating temperature min.
T_{\max}	212 °F	Operating temperature max.

Additional information

F_{VL}	609,487 lbf	Preload force light
F_{VM}	2.037,995 lbf	Preload force medium
F_{VH}	4.218,75 lbf	Preload force heavy
K_{aEL}	1.767,086 lbf	Lift-off force light
K_{aEM}	6.074,191 lbf	Lift-off force medium
K_{aEH}	12.929,182 lbf	Lift-off force heavy
c_{aL}	460 N/μm	Axial rigidity light
c_{aM}	722 N/μm	Axial rigidity medium
c_{aH}	965 N/μm	Axial rigidity heavy