

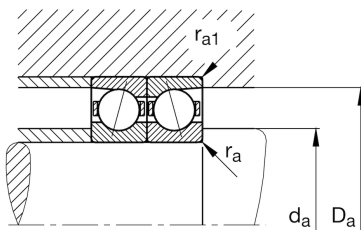
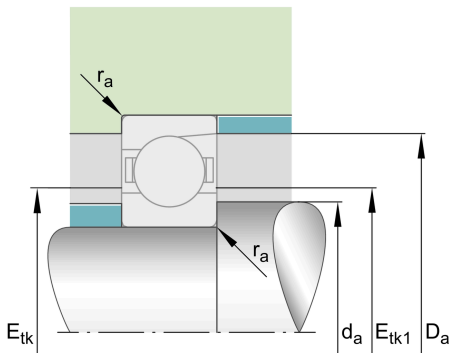
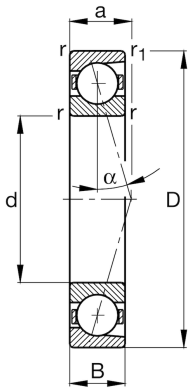
FAG

B71914-C-T-P4S-UL

Spindle bearing

Schaeffler ID:
0191543050000Spindle bearings B719.-C, adjusted,
in pairs or sets, contact angle $\alpha = 15^\circ$,
restricted tolerances

Technical information

**Main Dimensions & Performance Data**

d	2,756 in	Bore diameter
D	3,937 in	Outside diameter
B	0,63 in	Width
C_r	7.756,295 lbf	Basic dynamic load rating, radial
C_{0r}	5.170,863 lbf	Basic static load rating, radial
C_{ur}	546,313 lbf	Fatigue load limit, radial
$n_{G \text{ Grease}}$	14.000 1/min	Limiting speed for grease lubrication
$n_{G \text{ Oil}}$	20.000 1/min	Limiting speed for oil lubrication
	11,351 oz	Weight

Mounting dimensions

d_a	2,992 in	Diameter shaft shoulder
d_a	h12	Diameter shaft shoulder clearance
D_a	3,72 in	Shoulder diameter outer ring
D_a	H12	Shoulder diameter outer ring clearance
$r_{a \text{ max}}$	0,024 in	Maximum recess radius
$r_{a1 \text{ max}}$	0,012 in	Maximum recess radius
$E_{tk \text{ min}}$	3,122 in	Minimum diameter injection pitch
$E_{tk \text{ max}}$	3,236 in	Maximum diameter injection pitch
$E_{tk1 \text{ min}}$	3,122 in	Minimum diameter injection pitch
$E_{tk1 \text{ max}}$	3,236 in	Maximum diameter injection pitch
a	0,764 in	Distance between the apexes of the pressure cones

Dimensions

r_{min}	0,039 in	Minimum chamfer dimension
$r_{1 \text{ min}}$	0,039 in	Minimum chamfer dimension
α	15 °	Contact angle

Temperature range

T_{\min}	-22 °F	Operating temperature min.
T_{\max}	212 °F	Operating temperature max.

Additional information

F_{VL}	38,219 lbf	Preload force light
F_{VM}	129,496 lbf	Preload force medium
F_{VH}	263,264 lbf	Preload force heavy
K_{aEL}	117,581 lbf	Lift-off force light
K_{aEM}	429,856 lbf	Lift-off force medium
K_{aEH}	934,128 lbf	Lift-off force heavy
c_{aL}	66 N/μm	Axial rigidity light
c_{aM}	114 N/μm	Axial rigidity medium
c_{aH}	163 N/μm	Axial rigidity heavy