

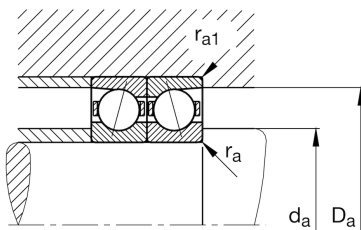
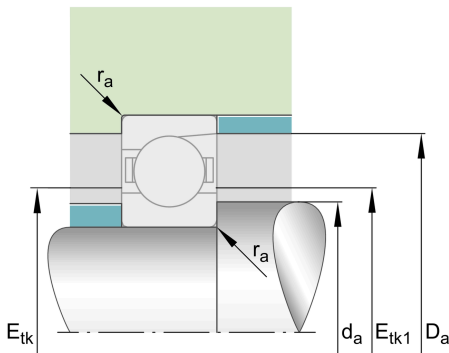
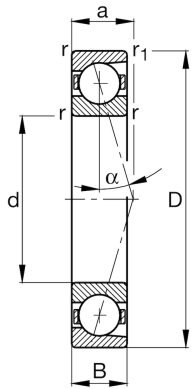
FAG

B71926-C-T-P4S-UL

Spindle bearing

Schaeffler ID:
0191551400000Spindle bearings B719.-C, adjusted,
in pairs or sets, contact angle $\alpha = 15^\circ$,
restricted tolerances

Technical information



Main Dimensions & Performance Data

d	5,118 in	Bore diameter
D	7,087 in	Outside diameter
B	0,945 in	Width
C_r	20.233,813 lbf	Basic dynamic load rating, radial
C_{0r}	15.962,23 lbf	Basic static load rating, radial
C_{ur}	1.348,921 lbf	Fatigue load limit, radial
$n_{G \text{ Grease}}$	7.000 1/min	Limiting speed for grease lubrication
$n_{G \text{ Oil}}$	11.000 1/min	Limiting speed for oil lubrication
	3,285 lbs	Weight

Mounting dimensions

d_a	5,472 in	Diameter shaft shoulder
d_a	h12	Diameter shaft shoulder clearance
D_a	6,732 in	Shoulder diameter outer ring
D_a	H12	Shoulder diameter outer ring clearance
$r_{a \text{ max}}$	0,024 in	Maximum recess radius
$r_{a1 \text{ max}}$	0,024 in	Maximum recess radius
$E_{tk \text{ min}}$	5,728 in	Minimum diameter injection pitch
$E_{tk \text{ max}}$	5,933 in	Maximum diameter injection pitch
$E_{tk1 \text{ min}}$	5,728 in	Minimum diameter injection pitch
$E_{tk1 \text{ max}}$	5,933 in	Maximum diameter injection pitch
a	1,291 in	Distance between the apexes of the pressure cones

Dimensions

r_{min}	0,059 in	Minimum chamfer dimension
$r_{1 \text{ min}}$	0,059 in	Minimum chamfer dimension
α	15 °	Contact angle

Temperature range

T_{\min}	-22 °F	Operating temperature min.
T_{\max}	212 °F	Operating temperature max.

Additional information

F_{VL}	109,263 lbf	Preload force light
F_{VM}	353,192 lbf	Preload force medium
F_{VH}	710,432 lbf	Preload force heavy
K_{aEL}	334,532 lbf	Lift-off force light
K_{aEM}	1.162,545 lbf	Lift-off force medium
K_{aEH}	2.491,906 lbf	Lift-off force heavy
c_{aL}	117 N/μm	Axial rigidity light
c_{aM}	197 N/μm	Axial rigidity medium
c_{aH}	279 N/μm	Axial rigidity heavy