

FAG

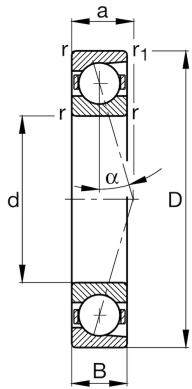
B71926-E-T-P4S-UL

Spindle bearing

Schaeffler ID:
0167276300000

Spindle bearing B719...-E, adjusted, in pairs or sets, contact angle $\alpha = 25^\circ$, restricted tolerances

Technical information



Main Dimensions & Performance Data

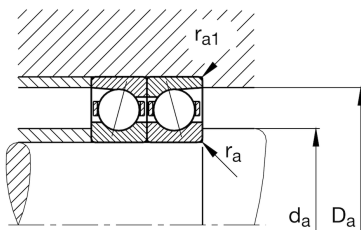
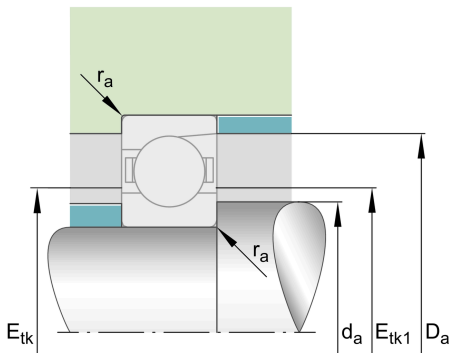
d	5,118 in	Bore diameter
D	7,087 in	Outside diameter
B	0,945 in	Width
C_r	19.109,712 lbf	Basic dynamic load rating, radial
C_{0r}	15.062,95 lbf	Basic static load rating, radial
C_{ur}	1.281,475 lbf	Fatigue load limit, radial
$n_{G\text{ Grease}}$	6.700 1/min	Limiting speed for grease lubrication
$n_{G\text{ Oil}}$	10.000 1/min	Limiting speed for oil lubrication
	3,285 lbs	Weight

Mounting dimensions

d_a	5,472 in	Diameter shaft shoulder
d_a	h12	Diameter shaft shoulder clearance
D_a	6,732 in	Shoulder diameter outer ring
D_a	H12	Shoulder diameter outer ring clearance
$r_{a\text{ max}}$	0,024 in	Maximum recess radius
$r_{a1\text{ max}}$	0,024 in	Maximum recess radius
$E_{tk\text{ min}}$	5,728 in	Minimum diameter injection pitch
$E_{tk\text{ max}}$	5,933 in	Maximum diameter injection pitch
$E_{tk1\text{ min}}$	5,728 in	Minimum diameter injection pitch
$E_{tk1\text{ max}}$	5,933 in	Maximum diameter injection pitch
a	1,894 in	Distance between the apexes of the pressure cones

Dimensions

r_{min}	0,059 in	Minimum chamfer dimension
$r_{1\text{ min}}$	0,059 in	Minimum chamfer dimension
α	25 °	Contact angle



Temperature range

T_{\min}	-22 °F	Operating temperature min.
T_{\max}	212 °F	Operating temperature max.

Additional information

F_{VL}	159,847 lbf	Preload force light
F_{VM}	554,406 lbf	Preload force medium
F_{VH}	1.160,297 lbf	Preload force heavy
K_{aEL}	464,029 lbf	Lift-off force light
K_{aEM}	1.658,948 lbf	Lift-off force medium
K_{aEH}	3.578,237 lbf	Lift-off force heavy
c_{aL}	275 N/μm	Axial rigidity light
c_{aM}	438 N/μm	Axial rigidity medium
c_{aH}	590 N/μm	Axial rigidity heavy