

FAG

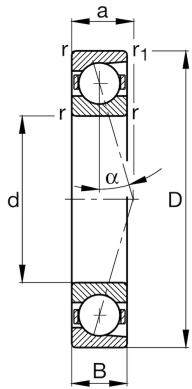
B71932-C-T-P4S-UL

Spindle bearing

Schaeffler ID:
0191553790000

Spindle bearings B719..-C, adjusted, in pairs or sets, contact angle $\alpha = 15^\circ$, restricted tolerances

Technical information



Main Dimensions & Performance Data

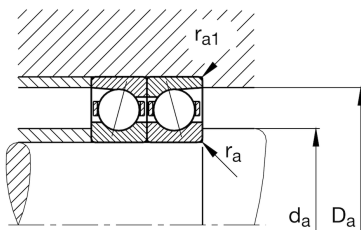
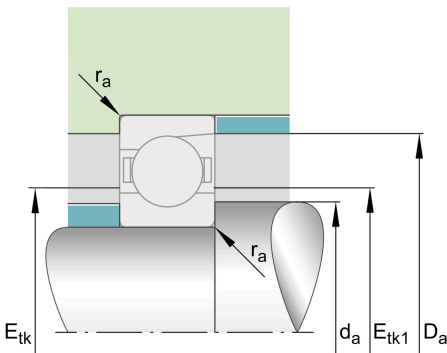
d	6,299 in	Bore diameter
D	8,661 in	Outside diameter
B	1,102 in	Width
C_r	28.776,978 lbf	Basic dynamic load rating, radial
C_{0r}	23.830,935 lbf	Basic static load rating, radial
C_{ur}	1.821,043 lbf	Fatigue load limit, radial
$n_{G \text{ Grease}}$	6.000 1/min	Limiting speed for grease lubrication
$n_{G \text{ Oil}}$	9.000 1/min	Limiting speed for oil lubrication
	5,703 lbs	Weight

Mounting dimensions

d_a	6,693 in	Diameter shaft shoulder
d_a	h12	Diameter shaft shoulder clearance
D_a	8,228 in	Shoulder diameter outer ring
D_a	H12	Shoulder diameter outer ring clearance
$r_{a \text{ max}}$	0,039 in	Maximum recess radius
$r_{a1 \text{ max}}$	0,039 in	Maximum recess radius
$E_{tk \text{ min}}$	7,067 in	Minimum diameter injection pitch
$E_{tk \text{ max}}$	7,272 in	Maximum diameter injection pitch
$E_{tk1 \text{ min}}$	7,067 in	Minimum diameter injection pitch
$E_{tk1 \text{ max}}$	7,272 in	Maximum diameter injection pitch
a	1,555 in	Distance between the apexes of the pressure cones

Dimensions

r_{min}	0,079 in	Minimum chamfer dimension
$r_{1 \text{ min}}$	0,039 in	Minimum chamfer dimension
α	15 °	Contact angle



Temperature range

T_{\min}	-22 °F	Operating temperature min.
T_{\max}	212 °F	Operating temperature max.

Additional information

F_{VL}	162,32 lbf	Preload force light
F_{VM}	517,986 lbf	Preload force medium
F_{VH}	1.038,444 lbf	Preload force heavy
K_{aEL}	496,628 lbf	Lift-off force light
K_{aEM}	1.702,338 lbf	Lift-off force medium
K_{aEH}	3.633,993 lbf	Lift-off force heavy
c_{aL}	145 N/μm	Axial rigidity light
c_{aM}	243 N/μm	Axial rigidity medium
c_{aH}	344 N/μm	Axial rigidity heavy