

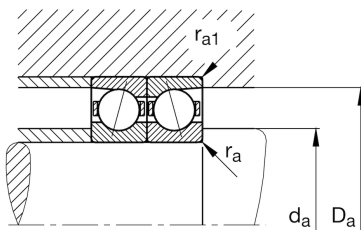
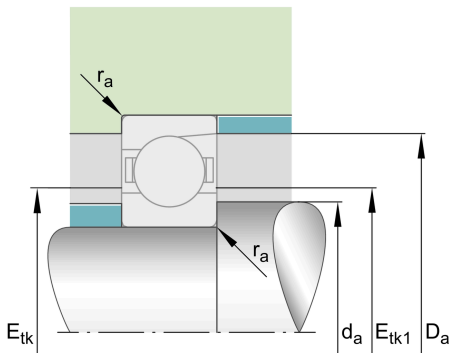
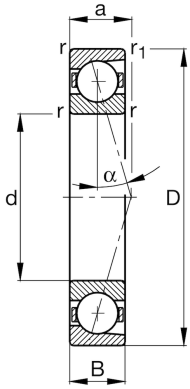
FAG

B7200-C-T-P4S-UL

Spindle bearing

Schaeffler ID:
0191557860000Spindle bearings B72...-C, adjusted, in pairs or sets, contact angle $\alpha = 15^\circ$, restricted tolerances

Technical information

**Main Dimensions & Performance Data**

d	0,394 in	Bore diameter
D	1,181 in	Outside diameter
B	0,354 in	Width
C_r	1.551,259 lbf	Basic dynamic load rating, radial
C_{0r}	663,219 lbf	Basic static load rating, radial
C_{ur}	70,818 lbf	Fatigue load limit, radial
$n_{G \text{ Grease}}$	56.000 1/min	Limiting speed for grease lubrication
$n_{G \text{ Oil}}$	85.000 1/min	Limiting speed for oil lubrication
	1,058 oz	Weight

Mounting dimensions

d_a	0,571 in	Diameter shaft shoulder
d_a	h12	Diameter shaft shoulder clearance
D_a	1,004 in	Shoulder diameter outer ring
D_a	H12	Shoulder diameter outer ring clearance
$r_{a \text{ max}}$	0,024 in	Maximum recess radius
$r_{a1 \text{ max}}$	0,012 in	Maximum recess radius
$E_{tk \text{ min}}$	0,709 in	Minimum diameter injection pitch
$E_{tk \text{ max}}$	0,756 in	Maximum diameter injection pitch
$E_{tk1 \text{ min}}$	0,709 in	Minimum diameter injection pitch
$E_{tk1 \text{ max}}$	0,756 in	Maximum diameter injection pitch
a	0,283 in	Distance between the apices of the pressure cones

Dimensions

r_{min}	0,024 in	Minimum chamfer dimension
$r_{1 \text{ min}}$	0,024 in	Minimum chamfer dimension
α	15 °	Contact angle

Temperature range

T_{\min}	-22 °F	Operating temperature min.
T_{\max}	212 °F	Operating temperature max.

Additional information

F_{VL}	5,621 lbf	Preload force light
F_{VM}	20,459 lbf	Preload force medium
F_{VH}	41,592 lbf	Preload force heavy
K_{aEL}	17,761 lbf	Lift-off force light
K_{aEM}	69,919 lbf	Lift-off force medium
K_{aEH}	153,777 lbf	Lift-off force heavy
c_{aL}	16,4 N/μm	Axial rigidity light
c_{aM}	29,8 N/μm	Axial rigidity medium
c_{aH}	43,5 N/μm	Axial rigidity heavy