



FAG

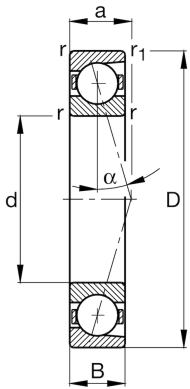
B7202-E-T-P4S-UL

Spindle bearing

Schaeffler ID:
0191558590000

Spindle bearings B72...-E, adjusted, in pairs or sets, contact angle $\alpha = 25^\circ$, restricted tolerances

Technical information



Main Dimensions & Performance Data

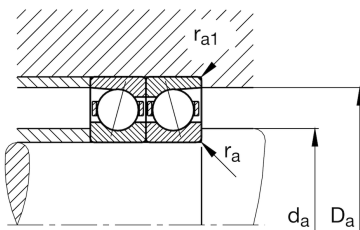
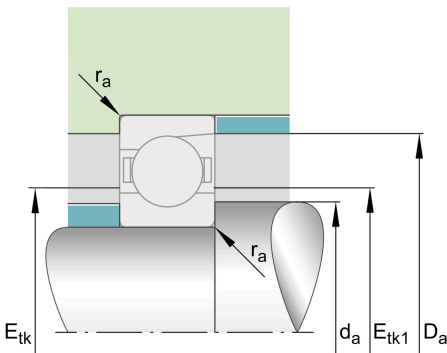
d	0,591 in	Bore diameter
D	1,378 in	Outside diameter
B	0,433 in	Width
C_r	2.495,504 lbf	Basic dynamic load rating, radial
C_{0r}	1.090,378 lbf	Basic static load rating, radial
C_{ur}	116,906 lbf	Fatigue load limit, radial
$n_{G\text{ Grease}}$	40.000 1/min	Limiting speed for grease lubrication
$n_{G\text{ Oil}}$	60.000 1/min	Limiting speed for oil lubrication
	1,411 oz	Weight

Mounting dimensions

d_a	0,768 in	Diameter shaft shoulder
d_a	h12	Diameter shaft shoulder clearance
D_a	1,201 in	Shoulder diameter outer ring
D_a	H12	Shoulder diameter outer ring clearance
$r_{a\text{ max}}$	0,024 in	Maximum recess radius
$r_{a1\text{ max}}$	0,012 in	Maximum recess radius
$E_{tk\text{ min}}$	0,854 in	Minimum diameter injection pitch
$E_{tk\text{ max}}$	0,921 in	Maximum diameter injection pitch
$E_{tk1\text{ min}}$	0,854 in	Minimum diameter injection pitch
$E_{tk1\text{ max}}$	0,921 in	Maximum diameter injection pitch
a	0,445 in	Distance between the apexes of the pressure cones

Dimensions

r_{min}	0,024 in	Minimum chamfer dimension
$r_{1\text{ min}}$	0,024 in	Minimum chamfer dimension
α	25 °	Contact angle



Temperature range

T_{\min}	-22 °F	Operating temperature min.
T_{\max}	212 °F	Operating temperature max.

Additional information

F_{VL}	14,388 lbf	Preload force light
F_{VM}	56,655 lbf	Preload force medium
F_{VH}	122,752 lbf	Preload force heavy
K_{aEL}	42,041 lbf	Lift-off force light
K_{aEM}	172,662 lbf	Lift-off force medium
K_{aEH}	389,388 lbf	Lift-off force heavy
c_{aL}	49,7 N/ μ m	Axial rigidity light
c_{aM}	84,4 N/ μ m	Axial rigidity medium
c_{aH}	117 N/ μ m	Axial rigidity heavy