

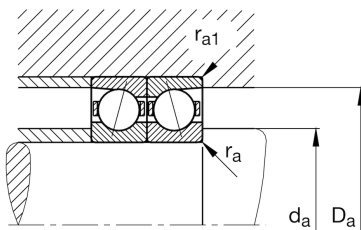
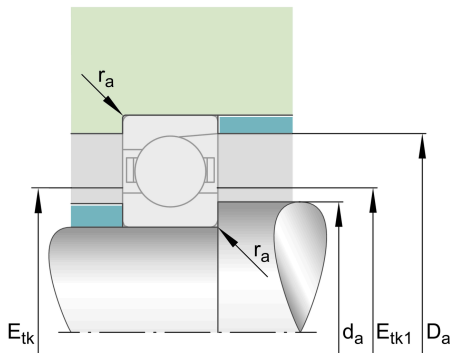
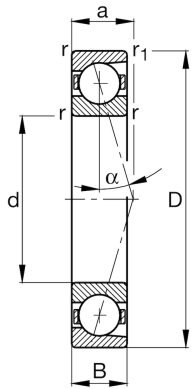
FAG

B7211-C-T-P4S-UL

Spindle bearing

Schaeffler ID:
0167276730000Spindle bearings B72...-C, adjusted, in pairs or sets, contact angle $\alpha = 15^\circ$, restricted tolerances

Technical information



Main Dimensions & Performance Data

d	2,165 in	Bore diameter
D	3,937 in	Outside diameter
B	0,827 in	Width
C_r	10.566,547 lbf	Basic dynamic load rating, radial
C_{0r}	5.957,734 lbf	Basic static load rating, radial
C_{ur}	629,496 lbf	Fatigue load limit, radial
$n_{G \text{ Grease}}$	14.000 1/min	Limiting speed for grease lubrication
$n_{G \text{ Oil}}$	22.000 1/min	Limiting speed for oil lubrication
	1,349 lbs	Weight

Mounting dimensions

d_a	2,48 in	Diameter shaft shoulder
d_a	h12	Diameter shaft shoulder clearance
D_a	3,622 in	Shoulder diameter outer ring
D_a	H12	Shoulder diameter outer ring clearance
$r_{a \text{ max}}$	0,059 in	Maximum recess radius
$r_{a1 \text{ max}}$	0,024 in	Maximum recess radius
$E_{tk \text{ min}}$	2,752 in	Minimum diameter injection pitch
$E_{tk \text{ max}}$	2,925 in	Maximum diameter injection pitch
$E_{tk1 \text{ min}}$	2,752 in	Minimum diameter injection pitch
$E_{tk1 \text{ max}}$	2,925 in	Maximum diameter injection pitch
a	0,823 in	Distance between the apexes of the pressure cones

Dimensions

r_{min}	0,059 in	Minimum chamfer dimension
$r_{1 \text{ min}}$	0,059 in	Minimum chamfer dimension
α	15 °	Contact angle

Temperature range

T_{\min}	-22 °F	Operating temperature min.
T_{\max}	212 °F	Operating temperature max.

Additional information

F_{VL}	58,004 lbf	Preload force light
F_{VM}	187,05 lbf	Preload force medium
F_{VH}	373,651 lbf	Preload force heavy
K_{aEL}	179,856 lbf	Lift-off force light
K_{aEM}	629,496 lbf	Lift-off force medium
K_{aEH}	1.345,549 lbf	Lift-off force heavy
c_{aL}	66,7 N/μm	Axial rigidity light
c_{aM}	114 N/μm	Axial rigidity medium
c_{aH}	163 N/μm	Axial rigidity heavy