

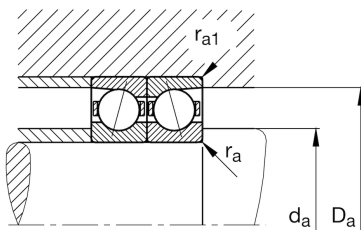
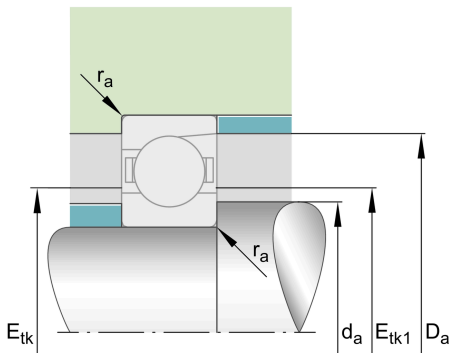
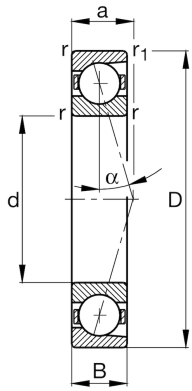
FAG

B7214-E-T-P4S-UL

Spindle bearing

Schaeffler ID:
0191570020000Spindle bearings B72...-E, adjusted, in pairs or sets, contact angle $\alpha = 25^\circ$, restricted tolerances

Technical information



Main Dimensions & Performance Data

d	2,756 in	Bore diameter
D	4,921 in	Outside diameter
B	0,945 in	Width
C_r	15.062,95 lbf	Basic dynamic load rating, radial
C_{0r}	8.880,396 lbf	Basic static load rating, radial
C_{ur}	944,245 lbf	Fatigue load limit, radial
$n_{G \text{ Grease}}$	10.000 1/min	Limiting speed for grease lubrication
$n_{G \text{ Oil}}$	17.000 1/min	Limiting speed for oil lubrication
	2,392 lbs	Weight

Mounting dimensions

d_a	3,15 in	Diameter shaft shoulder
d_a	h12	Diameter shaft shoulder clearance
D_a	4,528 in	Shoulder diameter outer ring
D_a	H12	Shoulder diameter outer ring clearance
$r_{a \text{ max}}$	0,059 in	Maximum recess radius
$r_{a1 \text{ max}}$	0,024 in	Maximum recess radius
$E_{tk \text{ min}}$	3,465 in	Minimum diameter injection pitch
$E_{tk \text{ max}}$	3,685 in	Maximum diameter injection pitch
$E_{tk1 \text{ min}}$	3,465 in	Minimum diameter injection pitch
$E_{tk1 \text{ max}}$	3,685 in	Maximum diameter injection pitch
a	1,366 in	Distance between the apices of the pressure cones

Dimensions

r_{min}	0,059 in	Minimum chamfer dimension
$r_{1 \text{ min}}$	0,059 in	Minimum chamfer dimension
α	25 °	Contact angle

Temperature range

T_{\min}	-22 °F	Operating temperature min.
T_{\max}	212 °F	Operating temperature max.

Additional information

F_{VL}	133,768 lbf	Preload force light
F_{VM}	453,462 lbf	Preload force medium
F_{VH}	941,772 lbf	Preload force heavy
K_{aEL}	390,288 lbf	Lift-off force light
K_{aEM}	1.369,155 lbf	Lift-off force medium
K_{aEH}	2.939,973 lbf	Lift-off force heavy
c_{aL}	194 N/μm	Axial rigidity light
c_{aM}	309 N/μm	Axial rigidity medium
c_{aH}	418 N/μm	Axial rigidity heavy