

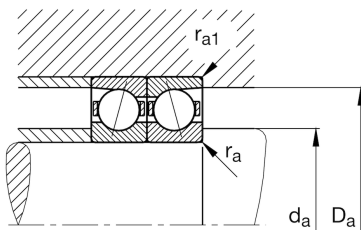
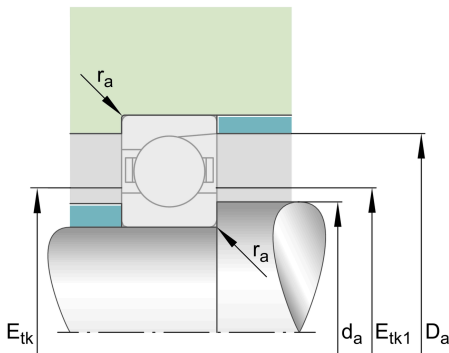
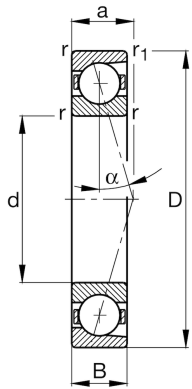
FAG

**B7219-C-T-P4S-UL**

## Spindle bearing

Schaeffler ID:  
0191572820000Spindle bearings B72...-C, adjusted, in pairs or sets, contact angle  $\alpha = 15^\circ$ , restricted tolerances

## Technical information



## Main Dimensions &amp; Performance Data

d	3,74 in	Bore diameter
D	6,693 in	Outside diameter
B	1,26 in	Width
$C_r$	29.226,619 lbf	Basic dynamic load rating, radial
$C_{0r}$	18.210,432 lbf	Basic static load rating, radial
$C_{ur}$	1.686,151 lbf	Fatigue load limit, radial
$n_{G \text{ Grease}}$	8.000 1/min	Limiting speed for grease lubrication
$n_{G \text{ Oil}}$	13.000 1/min	Limiting speed for oil lubrication
	5,891 lbs	Weight

## Mounting dimensions

$d_a$	4,35 in	Diameter shaft shoulder
$d_a$	h12	Diameter shaft shoulder clearance
$D_a$	6,063 in	Shoulder diameter outer ring
$D_a$	H12	Shoulder diameter outer ring clearance
$r_{a \text{ max}}$	0,083 in	Maximum recess radius
$r_{a1 \text{ max}}$	0,039 in	Maximum recess radius
$E_{tk \text{ min}}$	4,689 in	Minimum diameter injection pitch
$E_{tk \text{ max}}$	4,996 in	Maximum diameter injection pitch
$E_{tk1 \text{ min}}$	4,689 in	Minimum diameter injection pitch
$E_{tk1 \text{ max}}$	4,996 in	Maximum diameter injection pitch
a	1,331 in	Distance between the apices of the pressure cones

## Dimensions

$r_{\text{min}}$	0,083 in	Minimum chamfer dimension
$r_{1 \text{ min}}$	0,083 in	Minimum chamfer dimension
$\alpha$	15 °	Contact angle

**Temperature range**

$T_{\min}$	-22 °F	Operating temperature min.
$T_{\max}$	212 °F	Operating temperature max.

**Additional information**

$F_{VL}$	170,863 lbf	Preload force light
$F_{VM}$	533,498 lbf	Preload force medium
$F_{VH}$	1.057,329 lbf	Preload force heavy
$K_{aEL}$	529,002 lbf	Lift-off force light
$K_{aEM}$	1.783,948 lbf	Lift-off force medium
$K_{aEH}$	3.775,18 lbf	Lift-off force heavy
$c_{aL}$	115 N/μm	Axial rigidity light
$c_{aM}$	193 N/μm	Axial rigidity medium
$c_{aH}$	273 N/μm	Axial rigidity heavy