



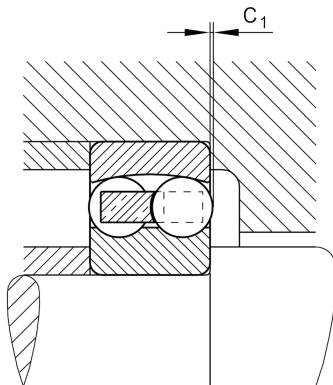
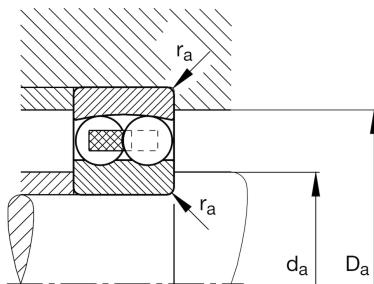
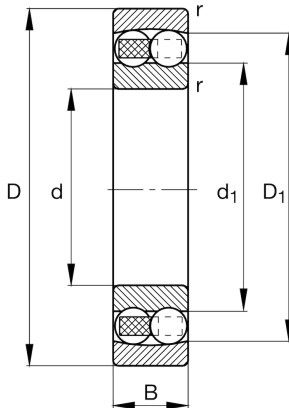
FAG

1318-M-C3

Self-aligning ball bearing

Schaeffler ID:
0167008990030Self-aligning ball bearing 13..-M, solid
brass cage

Technical information

**Main Dimensions & Performance Data**

d	3,543 in	Bore diameter
D	7,48 in	Outside diameter
B	1,693 in	Width
C_r	24.505,396 lbf	Basic dynamic load rating, radial
C_{0r}	9.667,266 lbf	Basic static load rating, radial
C_{ur}	517,086 lbf	Fatigue load limit, radial
n_G	5.500 1/min	Limiting speed
n_{gr}	4.200 1/min	Reference speed
	13,514 lbs	Weight

Mounting dimensions

$d_{a \min}$	4,094 in	Minimum diameter shaft shoulder
$D_{a \max}$	6,929 in	Maximum diameter of housing shoulder
$r_{a \max}$	0,098 in	Maximum fillet radius

Dimensions

r_{\min}	0,118 in	Minimum chamfer dimension
D_1	6,291 in	Shoulder diameter outer ring
d_1	4,898 in	Shoulder diameter inner ring
C_1	0,004 in	Overhang rolling element

Temperature range

T_{\min}	-22 °F	Operating temperature min.
T_{\max}	302 °F	Operating temperature max.

Calculation factors

e	0,22	Limiting value of F_a/F_r for the applicability of diff. Values of factors X and Y
Y_1	2,84	Dynamic axial load factor
Y_2	4,4	Dynamic axial load factor
Y_0	2,98	Static axial load factor