

Pressed Steel 3-Bolt Flange



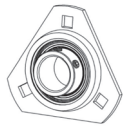
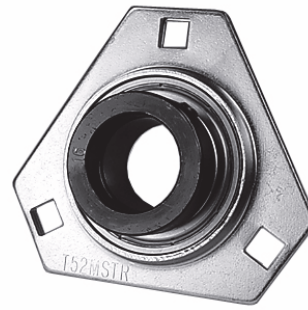
DBF 200 PTI Series

Normal Duty Bearings

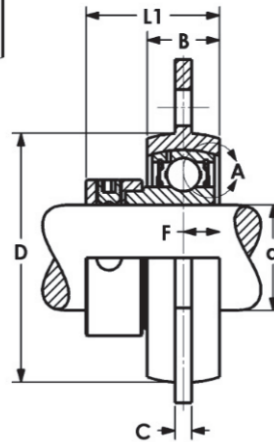
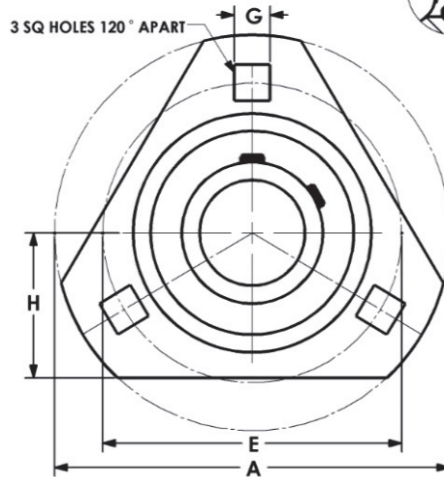
Set Screw and Eccentric Lock

Metric and Inch Bores

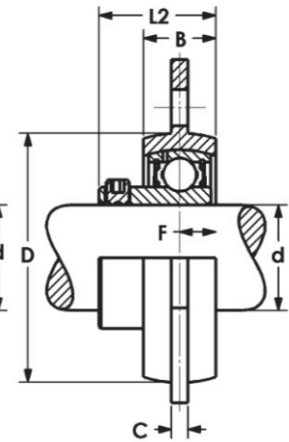
2 pc Plated Steel Flanges



Models Available



Eccentric Lock
SA Bearing



Set Screw Lock
SB Bearing

Part No.		Shaft Size d		Dimensions (mm) (in)									Bearing No.		Housing No.	Wt. kg	
Eccentric	Set Screw	mm	in	A	B	C	D	E	F	G	H	L ₁	L ₂	Eccentric			Set Screw
DBF201-12MM	DBF201-12SMM	12		81	14	4	48	63.5	7	7	29	29.6	23	SA201-12MM	SB201-12MM	DBF203(40)	0.2
DBF202-15MM	DBF202-15SMM	15												SA202-15MM	SB202-15MM		
DBF203-17MM	DBF203-17SMM	17												SA203-17MM	SB203-17MM		
DBF201-8	DBF201-8S		1/2	3.19	0.55	0.16	1.89	2.50	0.28	0.28	1.14	1.17	0.91	SA201-8	SB201-8		
DBF202-10	DBF202-10S		5/8											SA202-10	SB202-10		
DBF203-11	DBF203-11S		11/16											SA203-11	SB203-11		
DBF204-20MM	DBF204-20SMM	20		90.5	16	4	55	71.5	8	8.7	33.3	32.5	26.5	SA204-20MM	SB204-20MM	DBF204	0.3
DBF204-12	DBF204-12S		3/4	3.56	0.63	0.16	2.16	2.81	0.31	0.34	1.31	1.28	1.04	SA204-12	SB204-12		
DBF205-25MM	DBF205-25SMM	25		95.3	17.4	4	60	76	8.7	8.7	34.9	32.5	28.5	SA205-25MM	SB205-25MM	DBF205	0.4
DBF205-14	DBF205-14S		7/8	3.75	0.69	0.16	2.36	2.99	0.34	0.34	1.37	1.28	1.12	SA205-14	SB205-14		
DBF205-15	DBF205-15S		15/16											SA205-15	SB205-15		
DBF205-16	DBF205-16S		1											SA205-16	SB205-16		
DBF206-30MM	DBF206-30SMM	30		112.7	17.4	5.2	71	90.5	8.7	10.5	38.1	37.2	31.5	SA206-30MM	SB206-30MM	DBF206	0.6
DBF206-18	DBF206-18S		1-1/8	4.44	0.69	0.20	2.80	3.56	0.34	0.41	1.50	1.46	1.24	SA206-18	SB206-18		
DBF206-19	DBF206-19S		1-3/16											SA206-19	SB206-19		
DBF206-20	DBF206-20S		1-1/4											SA206-20	SB206-20		
DBF207-35MM	DBF207-35SMM	35		127	19	5.2	81	100	9.5	10.5	44.5	40.9	34	SA207-35MM	SB207-35MM	DBF207	0.7
DBF207-20	DBF207-20S		1-1/4	5.00	0.75	0.20	3.19	3.94	0.37	0.41	1.75	1.61	1.34	SA207-20	SB207-20		
DBF207-22	DBF207-22S		1-3/8											SA207-22	SB207-22		
DBF207-23	DBF207-23S		1-7/16											SA207-23	SB207-23		

Note: Adapter Lock Bearings also available from stock.