

Piloted 4-Bolt Flange



FWSN 200 PTI Series

Normal Duty Bearing

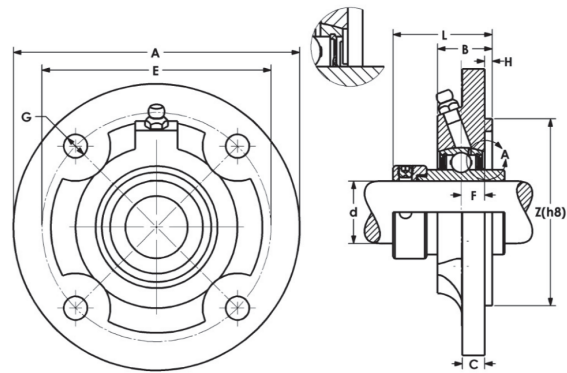
Cast Iron Housing

Eccentric Lock

Metric and Inch Bores



Models Available



Part No.	Shaft Size d		Dimensions (mm) (in)									Bearing No.	Housing No.	Wt. kg
	mm	in	A	B	C	E	F	G	H	L	Z(h8)			
FWSN204-20AMM	20		100	25.5	7.0	78	10.0	9.5	5	41.6	62	HC204-20MM	FWSN204	0.9
FWSN204-12A		3/4	3.94	1.00	0.28	3.07	0.39	0.37	0.20	1.64	2.44	HC204-12		
FWSN205-25AMM	25		115	22.0	9.0	92	9.5	9.5	3	39.4	75	HC205-25MM	FWSN205	1.0
FWSN205-14A		7/8	4.53	0.87	0.35	3.62	0.37	0.37	0.12	1.55	2.95	HC205-14		
FWSN205-15/A		15/16										HC205-15		
FWSN205-16A		1										HC205-16		
FWSN206-30AMM	30		125	22.5	9.5	105	10.5	9.5	3	43.6	85	HC206-30MM	FWSN206	1.2
FWSN206-18A		1-1/8	4.92	0.89	0.37	4.13	0.41	0.37	0.12	1.72	3.35	HC206-18		
FWSN206-19A		1-3/16										HC206-19		
FWSN206-20A		1-1/4										HC206-20		
FWSN207-35AMM	35		135	22.5	10.0	110	9.0	11.5	4	45.3	90	HC207-35MM	FWSN207	1.5
FWSN207-20A		1-1/4	5.31	0.89	0.39	4.33	0.35	0.45	0.16	1.78	3.54	HC207-20		
FWSN207-22A		1-3/8										HC207-22		
FWSN207-23A		1-7/16										HC207-23		
FWSN208-40AMM	40		145	26.0	11.5	120	11.5	11.5	4	50.4	100	HC208-40MM	FWSN208	1.9
FWSN208-24A		1-1/2	5.71	1.02	0.45	4.72	0.45	0.45	0.16	1.98	3.94	HC208-24		
FWSN209-45AMM	45		155	26.5	12.0	130	11.5	14.0	4	50.4	105	HC209-45MM	FWSN209	2.5
FWSN209-26A		1-5/8	6.10	1.04	0.47	5.12	0.45	0.55	0.16	1.98	4.13	HC209-26		
FWSN209-27A		1-11/16										HC209-27		
FWSN209-28A		1-3/4										HC209-28		
FWSN210-50AMM	50		165	28.0	13.0	136	12.5	14.0	4	54.6	115	HC210-50MM	FWSN210	2.8
FWSN210-30A		1-7/8	6.50	1.10	0.51	5.35	0.49	0.55	0.16	2.15	4.53	HC210-30		
FWSN210-31A		1-15/16										HC210-31		
FWSN210-32A		2										HC210-32		
FWSN211-55AMM	55		185	43.0	15.0	150	13.0	18.0	12	68.6	125	HC211-55MM	FWSN211	3.5
FWSN211-32A		2	7.28	1.69	0.59	5.91	0.51	0.71	0.47	2.7	4.92	HC211-32		
FWSN211-34A		2-1/8										HC211-34		
FWSN211-35A		2-3/16										HC211-35		
FWSN212-60AMM	60		195	33.0	16.0	165	17.0	18.0	4	67.8	140	HC212-60MM	FWSN212	4.4
FWSN212-36A		2-1/4	7.68	1.30	0.63	6.50	0.67	0.71	0.16	2.67	5.51	HC212-36		
FWSN212-38A		2-3/8										HC212-38		
FWSN212-39A		2-7/16										HC212-39		
FWSN213-65AMM	65		205	50.0	15.0	170	16.0	19.0	14	81.6	145	HC213-65MM	FWSN213	6.0
FWSN213-40A		2-1/2	8.07	1.97	0.59	6.69	0.63	0.75	0.55	3.21	5.71	HC213-40		
FWSN214-70AMM	70		215	54.0	18.0	177	17.0	19.0	14	82.6	150	HC214-70MM	FWSN214	7.1
FWSN214-43A		2-11/16	8.46	2.13	0.71	6.97	0.67	0.75	0.55	3.25	5.91	HC214-43		
FWSN214-44A		2-3/4										HC214-44		
FWSN215-75AMM	75		220	56.0	18.0	184	18.0	19.0	16	88.8	160	HC215-75MM	FWSN215	7.7
FWSN215-47A		2-15/16	8.66	2.20	0.71	7.24	0.71	0.75	0.63	3.50	6.30	HC215-47		
FWSN215-48A		3										HC215-48		
FWSN216-80AMM	80		240	58.0	18.0	200	18.0	23.0	16	81.6	170	HC216-80MM	FWSN216	9.0
FWSN216-50A		3-1/8	9.45	2.28	0.71	7.87	0.71	0.91	0.63	3.21	6.69	HC216-50		

Note: Set Screw and Adapter Lock Bearings also available from stock. SA insert available for flush mounting.