

Twin Hose, Spring Retractable Reels Dual Hydraulic - 1/4", 3/8", 1/2" I.D.

Reelcraft's hydraulic reels are used for medium pressure dual hydraulic hose applications and are ideal for operating hydraulic cylinders, tools and equipment. All twin hydraulic models include a full flow, high volume swivel for maximum product delivery. Series TH reels incorporate contemporary engineering and manufacturing techniques for high quality performance. Reels are all-steel construction and compact for applications with critical space requirements.



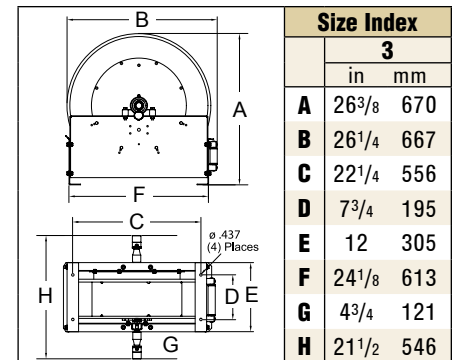
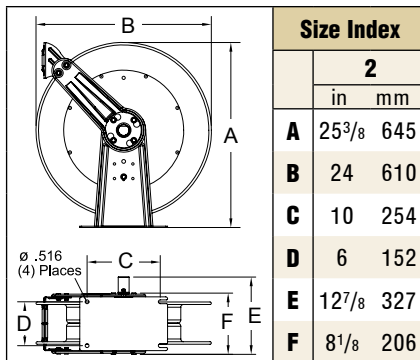
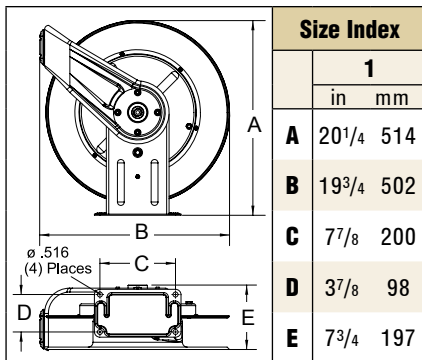
TH5425 OMP



TH7445 OMP

Applications

- Cranes
- Construction equipment
- Hydraulic tools
- Vehicle extraction tools
- Aerial device
- Hydraulic cylinders
- Tree cutters
- Digger derricks
- Railroad maintenance tools



| Model with Hose | Shipping Weight | | Hose I.D. | | Hose O.D. | | Hose Length | | Pressure | | (M)NPTF Hose Outlet | (F)NPTF Reel Inlet | Model without hose & bumper | Shipping Weight | | Pressure | | Size Index # |
|--|-----------------|----|-----------|----|-----------|----|-------------|----|----------|-----|---------------------|--------------------|-----------------------------|-----------------|----|----------|-----|--------------|
| | lbs | kg | in | mm | in | mm | ft | m | psi | bar | in | in | | lbs | kg | psi | bar | |
| Medium Pressure Hydraulic Hose Reels Maximum Temperature 210 °F (99 °C) | | | | | | | | | | | | | | | | | | |
| TH5425 OMP | 34 | 15 | 1/4 | 6 | .530 | 13 | 25 | 8 | 2000 | 138 | 1/4 | 1/4 | TH5400 OMP | 24 | 11 | 3000 | 207 | pg. 9 |
| TH7445 OMP | 60 | 27 | 1/4 | 6 | .530 | 13 | 45 | 14 | 2000 | 138 | 1/4 | 1/4 | TH7400 OMP | 44 | 20 | 3000 | 207 | 1 |
| THA7630 OMP | 53 | 24 | 3/8 | 10 | .660 | 17 | 30 | 9 | 2000 | 138 | 3/8 | 3/8 | THA7600 OMP | 44 | 20 | 3000 | 207 | 1 |
| TH86050 OMP | 99 | 45 | 3/8 | 10 | .710 | 18 | 50 | 15 | 2000 | 138 | 3/8 | 3/8 | TH86000 OMP | 88 | 40 | 3000 | 207 | 2 |
| THA7825 OMP | 57 | 26 | 1/2 | 13 | .850 | 22 | 25 | 8 | 2000 | 138 | 1/2 | 1/2 | THA7800 OMP | 50 | 23 | 3000 | 207 | 1 |
| TH88050 OMP | 104 | 47 | 1/2 | 13 | .850 | 22 | 50 | 15 | 2000 | 138 | 1/2 | 1/2 | TH88000 OMP | 88 | 40 | 3000 | 207 | 2 |
| TH9265 OMPBW | 155 | 70 | 1/2 | 13 | .910 | 24 | 65 | 20 | 2000 | 138 | 1/2 | 1/2 | TH9200 OMPBW | 120 | 54 | 3000 | 207 | 3 |

Reference page 4 for guide arm positions.

| | | | | |
|------------------------------|---|---|---|---|
| Available Options | Mounting Brackets See page 47 | Inlet Hose Assemblies See page 49 | Replacement Bumpers See page 49 | Replacement Hoses See page 50 |
|------------------------------|---|---|---|---|

Models listed with an icon can ship same day upon request when the order is received by 11:30 AM Eastern Time for quantities of 5 or fewer.

Indiana Warehouse
 Indiana & California Warehouses
 California Warehouse
 Canadian Warehouse