

**BALDOR® • RELIANCE™**

---

# Customer information packet

## BSM33C-6177MHQ

62B TENV HOR 56C 1" HALL (3 HP)

**Specifications**

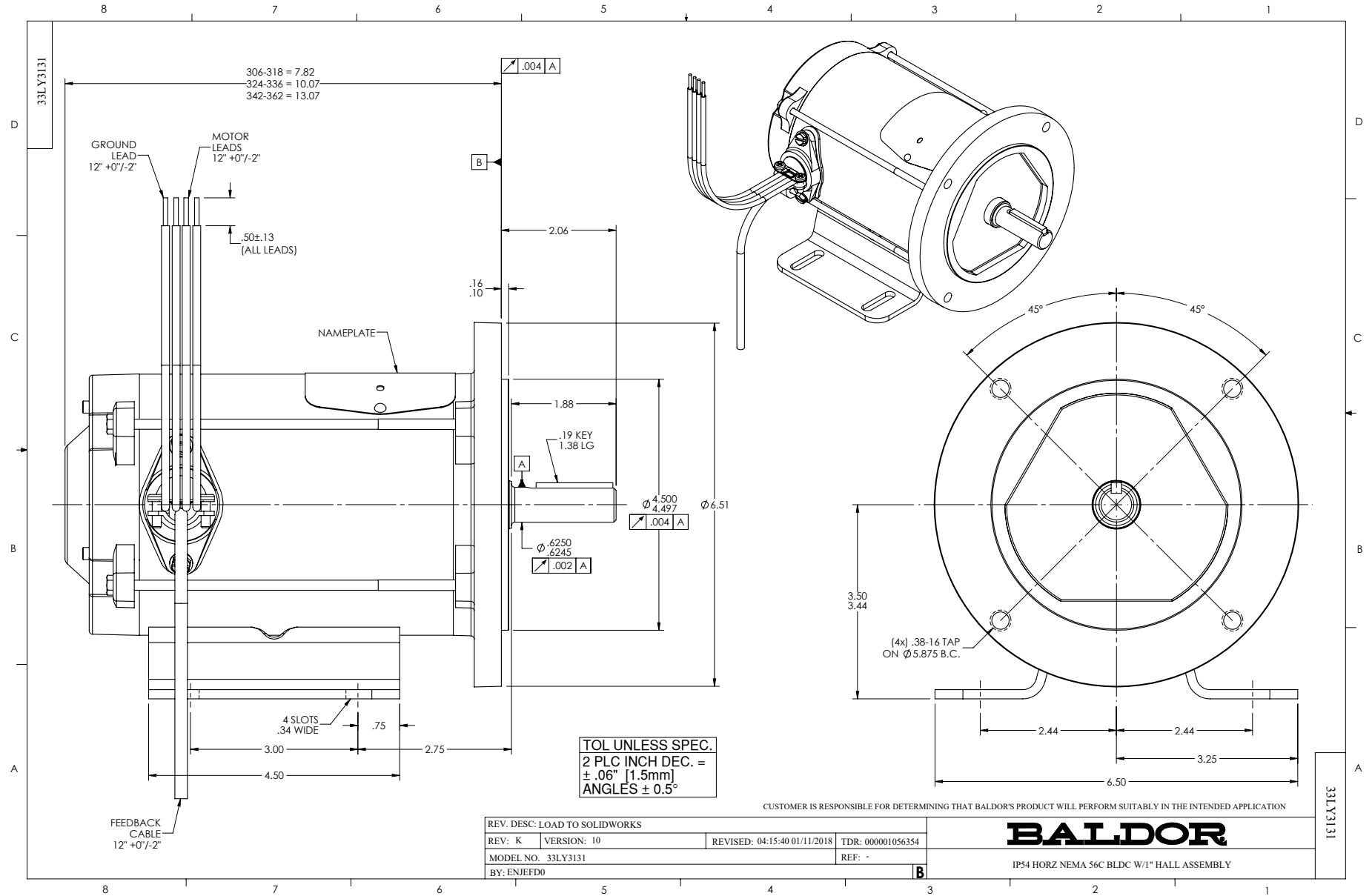
<b>Enclosure</b>	TENV
<b>Nameplate Speed</b>	1800
<b>Agency Approvals</b>	CSA
<b>Base Indicator</b>	Rigid
<b>Dimensional Drawing Numbers</b>	33LY3131
<b>Frame</b>	56C
<b>Frame Material</b>	Steel
<b>Motor Lead Quantity/Wire Size</b>	3 @ 14 AWG
<b>Motor Standards</b>	NEMA
<b>Mounting Arrangement</b>	F1
<b>Nameplate Output</b>	3.000
<b>Shaft Rotation</b>	Reversible
<b>Thermal Device - Winding</b>	Normally Closed Thermostat

**Part detail**

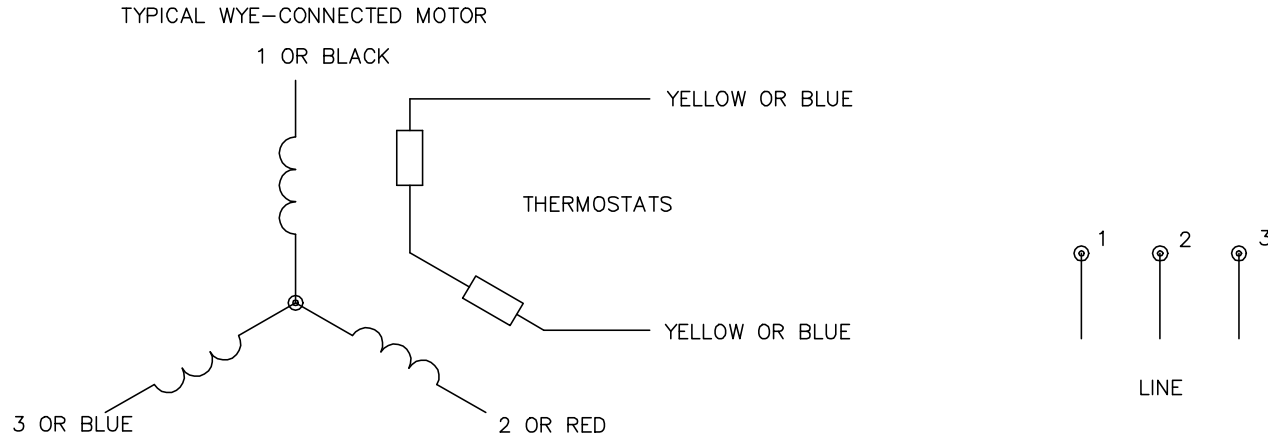
<b>Revision</b>	P
<b>Type</b>	AC
<b>Mech. spec.</b>	33-3131
<b>Base</b>	
<b>Status</b>	PRD/A
<b>Elec. spec.</b>	33WGW942
<b>Layout</b>	33LY3131
<b>Eff. date</b>	06-23-2023
<b>CD Diagram</b>	CD0006A02
<b>Poles</b>	08
<b>Leads</b>	3#14
<b>Proprietary</b>	False
<b>Created date</b>	05-31-2007

**Nameplate**

<b>NP1419L</b>			
<b>CAT.NO.</b>	BSM33C-6177MHQ		
<b>SPEC.</b>	33-3131W942		
<b>HP</b>	3		
<b>RPM</b>	1800		
<b>FRAME</b>	56C	<b>SER.F.</b>	1.00
<b>VOLTS</b>	320		
<b>AMPS</b>	12.5		
<b>INSUL</b>	F	<b>AMB.</b>	40
<b>DUTY</b>	CONT	<b>ENCL</b>	TENV
<b>BRG/DE</b>	6205	<b>BRG/ODE</b>	6203
<b>SER.NO</b>			
<b>BLANK</b>		<b>BLANK</b>	



CD0006A02



**NOTES:**

1. INTERCHANGE ANY TWO LINE LEADS TO REVERSE ROTATION.
2. ACTUAL NUMBER OF INTERNAL PARALLEL CIRCUITS MAY VARY.

REV. DESC: REMOVED "OPTIONAL" FROM PRINT, SERVO REQ'S T'STATS		
REV. LTR: D	VERSION: 03	TDR: 000000414937
CD0006A02	FILE: \AAA\00068\606	REVISED: 10:02:28 11/21/2006
	MTL: -	BY: ENJEFO

**BALDOR ELECTRIC Co.**

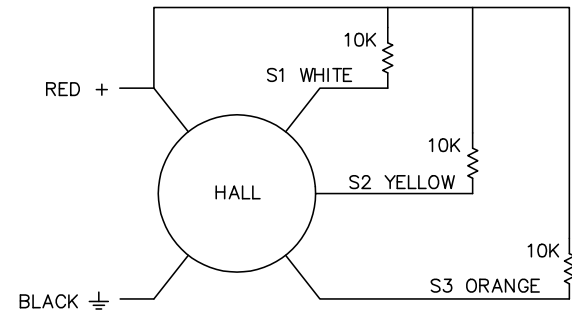
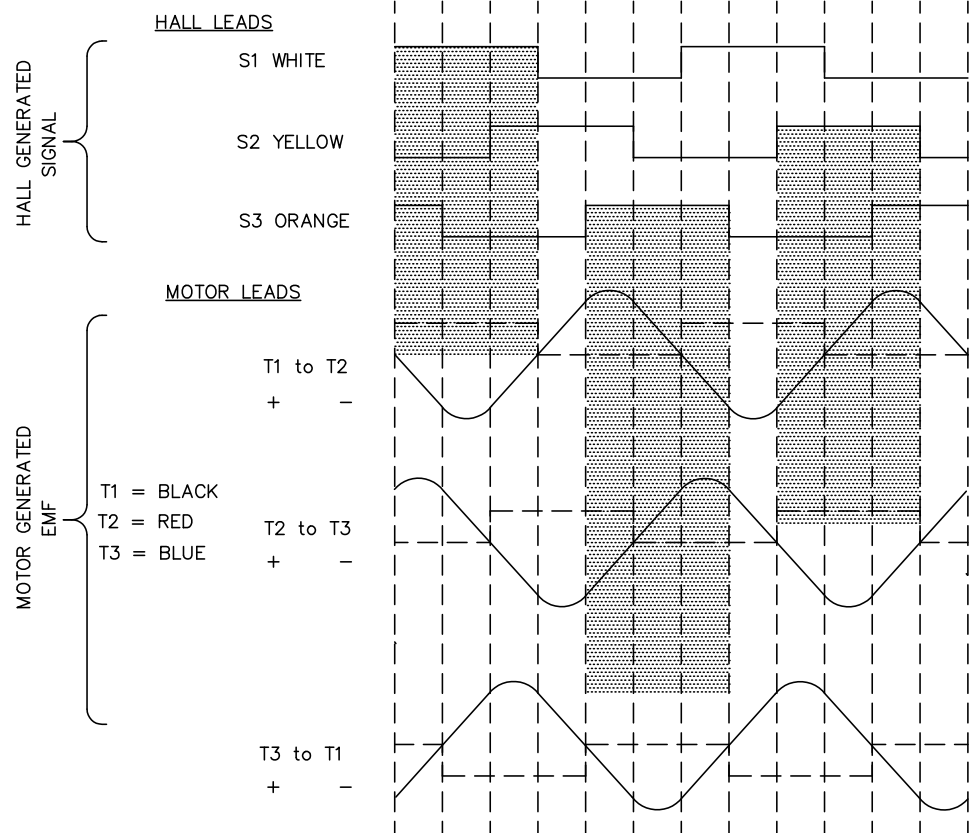
3PH, SV, 3 LEADS, WYE CONNECTED

CD0006A02

CD1233

### BRUSHLESS D.C. COMMUTATION

8 POLE MECHANICAL DEGREES	0	15	30	45	60	75	90	105	120	135	150	165	180
4 POLE MECHANICAL DEGREES	0	30	60	90	120	150	180	210	240	270	300	330	360
ELECTRICAL DEGREES	0	60	120	180	240	300	360	420	480	540	600	660	720



**NOTE:**  
 CW ROTATION VIEWING  
 MOTOR SHAFT END

CD1233

REV. DESC: ADDED "RED" TO (+) AND "BLACK" TO (GND)			
REV. LTR: B	BY: TDJ	REVISED: 12/22/98 9:10	TDR: 0169811
CD1233		FILE: AAA00045372	MDL: -
		MTL: -	

**BALDOR ELECTRIC Co.**

BLDC COMMUTATION WITH HALL

CD1893

**MOTOR CONNECTIONS**

FUNCTION	INTERNAL WIRE COLOR
* THERMAL SWITCH	YELLOW OR BLUE
* THERMAL SWITCH	YELLOW OR BLUE
U	BLACK
V	RED
W	BLUE
GROUND	GREEN/YELLOW

\* WHEN REQUIRED

**HALL FEEDBACK CONNECTIONS**

FUNCTION	INTERNAL WIRE COLOR
S1 HALL SWITCH	WHITE
S2 HALL SWITCH	YELLOW
S3 HALL SWITCH	ORANGE
VCC+	RED
GROUND	BLACK

REV. DESC: ADD OPTIONAL T'STAT COLOR LEAD		
REV. LTR: A	VERSION: 01	TDR: 000000446923
Ω68100	FILE: \AAA\00119\712	REVISED: 09:29:04 10/25/2007
	MTL: -	BY: ENFRANO



WIRING DIAG, 1" HALLS, FLYING LEADS

CD1893