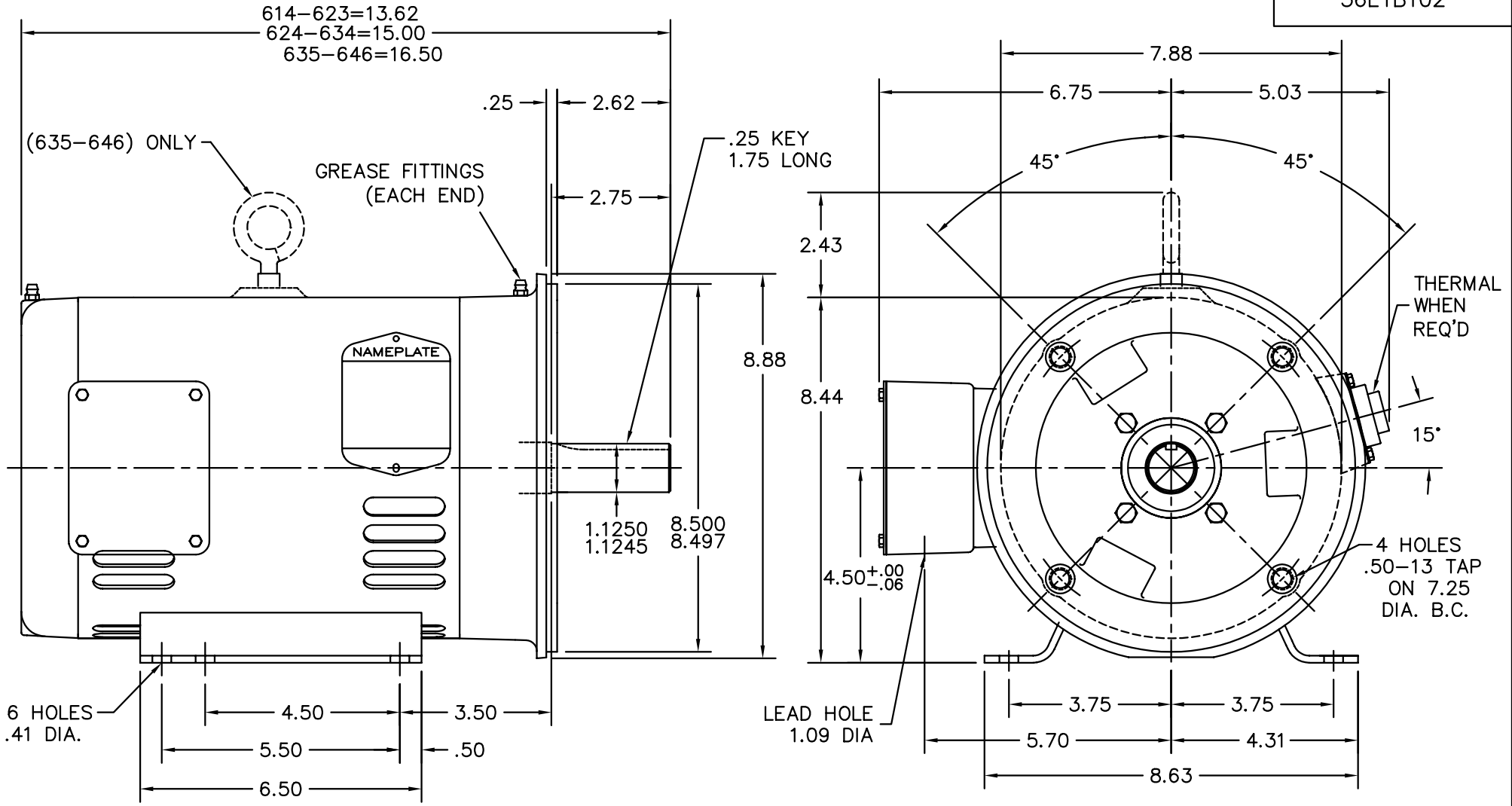


36LYB102



CUST. NAME	CUST. P.O.	CERTIFIED BY	MODEL	INSUL	AMB
------------	------------	--------------	-------	-------	-----

H.P.	MTG	TYPE	R.P.M.	VOLTS	ENCL	PHASE	FREQ	FRAME
------	-----	------	--------	-------	------	-------	------	-------

REV. DESC: OPSB WAS OPEN IN THE DESC.

**BALDOR ELECTRIC Co.**

REV. LTR: D	BY: SSS	REVISED: 07/28/99 2:06	TDR: 0187013
-------------	---------	------------------------	--------------

36LYB102	FILE: AAA00048653	MDL: -
----------	-------------------	--------

HORZ 182-4TC OPSB 36M

36LYB102