

BALDOR • RELIANCE

Customer information packet

CEWDNM3558T

2HP, 1755RPM, 3PH, 60HZ, 143TC, 3540M, TENV, F1

Class - None

Division - Not Applicable

Specifications

Enclosure	TENV
Frame	145TC
Frame Material	Steel
Frequency	60.00 Hz
Haz Area Class and Group	None
Haz Area Division	Not Applicable
Motor Letter Type	Three Phase
Output @ Frequency	2.000 HP @ 60 HZ
Phase	3
Synchronous Speed @ Frequency	1800 RPM @ 60 HZ
Voltage @ Frequency	230.0 V @ 60 HZ 460.0 V @ 60 HZ
Agency Approvals	NEMA PREMIUM NEMA_PREMIUM UR CSA EEV
Ambient Temperature	40 °C
Auxillary Box	No Auxillary Box
Auxillary Box Lead Termination	None
Base Indicator	Rigid
Bearing Grease Type	Polyrex EM (-20F +300F)
Blower	None
Current @ Voltage	2.700 A @ 460.0 V 5.400 A @ 230.0 V
Design Code	B
Drip Cover	No Drip Cover
Duty Rating	CONT
Efficiency @ 100% Load	86.5 %
Electrically Isolated Bearing	Not Electrically Isolated
Feedback Device	NO FEEDBACK
Front Shaft Indicator	None
Heater Indicator	No Heater

Part detail

Revision	A
Type	AC
Mech. spec.	35SS592
Base	
Status	PRD/A
Elec. spec.	35WGG174
Layout	35LYSS592
Eff. date	02-14-2024
CD Diagram	CD0005
Poles	04
Leads	9#18
Proprietary	False
Created date	03-11-2022

High Voltage Full Load Amps	2.7 a
Insulation Class	F
Inverter Code	Not Inverter
KVA Code	K
Lifting Lugs	No Lifting Lugs
Locked Bearing Indicator	Locked Bearing
Motor Lead Quantity/Wire Size	9 @ 18 AWG
Motor Lead Termination	Flying Leads
Motor Standards	NEMA
Motor Type	3540M
Mounting Arrangement	F1
Number of Poles	4
Overall Length	14.37 IN
Power Factor	81
Product Family	Wash Down
Pulley End Bearing Type	Sealed Bearing
Pulley Face Code	C-Face
Pulley Shaft Indicator	Standard
Rodent Screen	None
Service Factor	1.15
Shaft Diameter	0.875 IN
Shaft Ground Indicator	No Shaft Grounding
Shaft Rotation	Reversible
Shaft Slinger Indicator	Shaft Slinger
Speed	1755 rpm
Speed Code	Single Speed
Starting Method	Direct on line
Thermal Device - Bearing	None
Thermal Device - Winding	None
Vibration Sensor Indicator	No Vibration Sensor
Winding Thermal 1	None
Winding Thermal 2	None

Nameplate

NP1669L									
CAT.NO.	CEWDM3558T								
SPEC.	35SS592G174G1								
HP	2								
VOLTS	230/460								
AMP	5.4/2.7								
RPM	1755								
FRAME	145TC		HZ	60		PH	3		
SER.F.	1.15	CODE	K	DES	B	CLASS	F		
NEMA-NOM-EFF	86.5	PF	81						
RATING	40C AMB-CONT								
CC	010A								
DE	6205	ODE	6203						
ENCL	TENV	SN							
BLANK	SFA 6/3								

AC Induction Motor Performance Data

Record # 87464

Typical performance - not guaranteed values

Winding: 35WGG174-R001		Type: 3540M		Enclosure: TENV	
Nameplate Data			460 V, 60 Hz: High Voltage Connection		
Rated Output (HP)	2		Full Load Torque	5.982 LB-FT	
Volts	230/460		Start Configuration	direct on line	
Full Load Amps	5.2/2.6		Breakdown Torque	20.6 LB-FT	
R.P.M.	1755		Pull-up Torque	12.6 LB-FT	
Hz	60 Phase	3	Locked-rotor Torque	16 LB-FT	
NEMA Design Code	B KVA Code	K	Starting Current	21.8 A	
Service Factor (S.F.)	1.15		No-load Current	1.23 A	
NEMA Nom. Eff.	86.5 Power Factor	81	Line-line Res. @ 25°C	9.0278 Ω	
Rating - Duty	40C AMB-CONT		Temp. Rise @ Rated Load	81°C	
S.F. Amps			Temp. Rise @ S.F. Load	102°C	
			Locked-rotor Power Factor	51.8	
			Rotor inertia	0.289 lb-ft ²	

Load Characteristics 460 V, 60 Hz, 2 HP

% of Rated Load	25	50	75	100	125	150	S.F.
Power Factor	41	63	75	81	84	86	83
Efficiency	83.3	88.2	88.6	87.7	86	83.9	86.7
Speed	1786.6	1776.9	1766.1	1754.1	1740.5	1725.2	1746
Line amperes	1.37	1.68	2.12	2.63	3.22	3.87	2.98

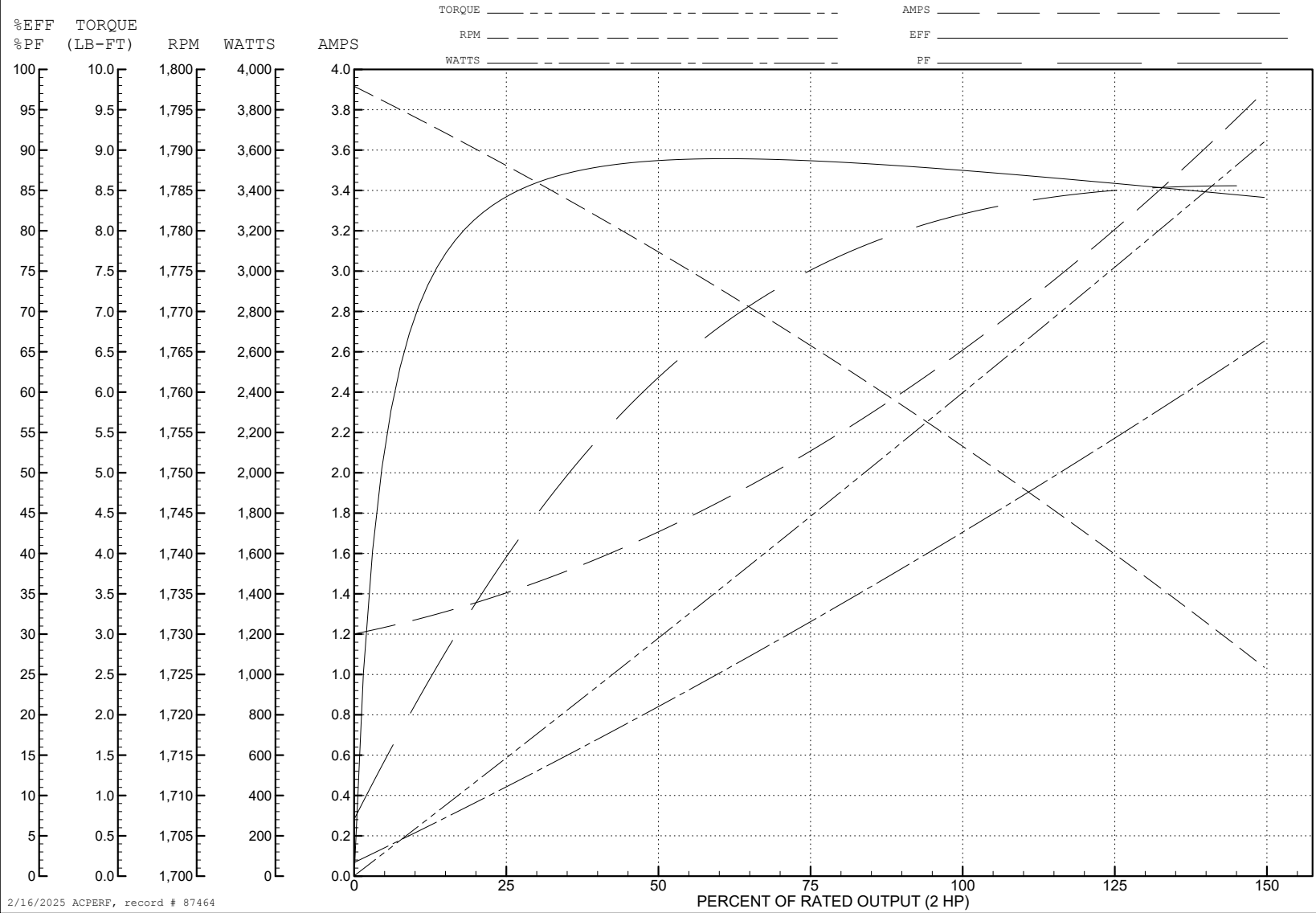
ABB Motors and Mechanical Inc.

WINDING # 35WGG174

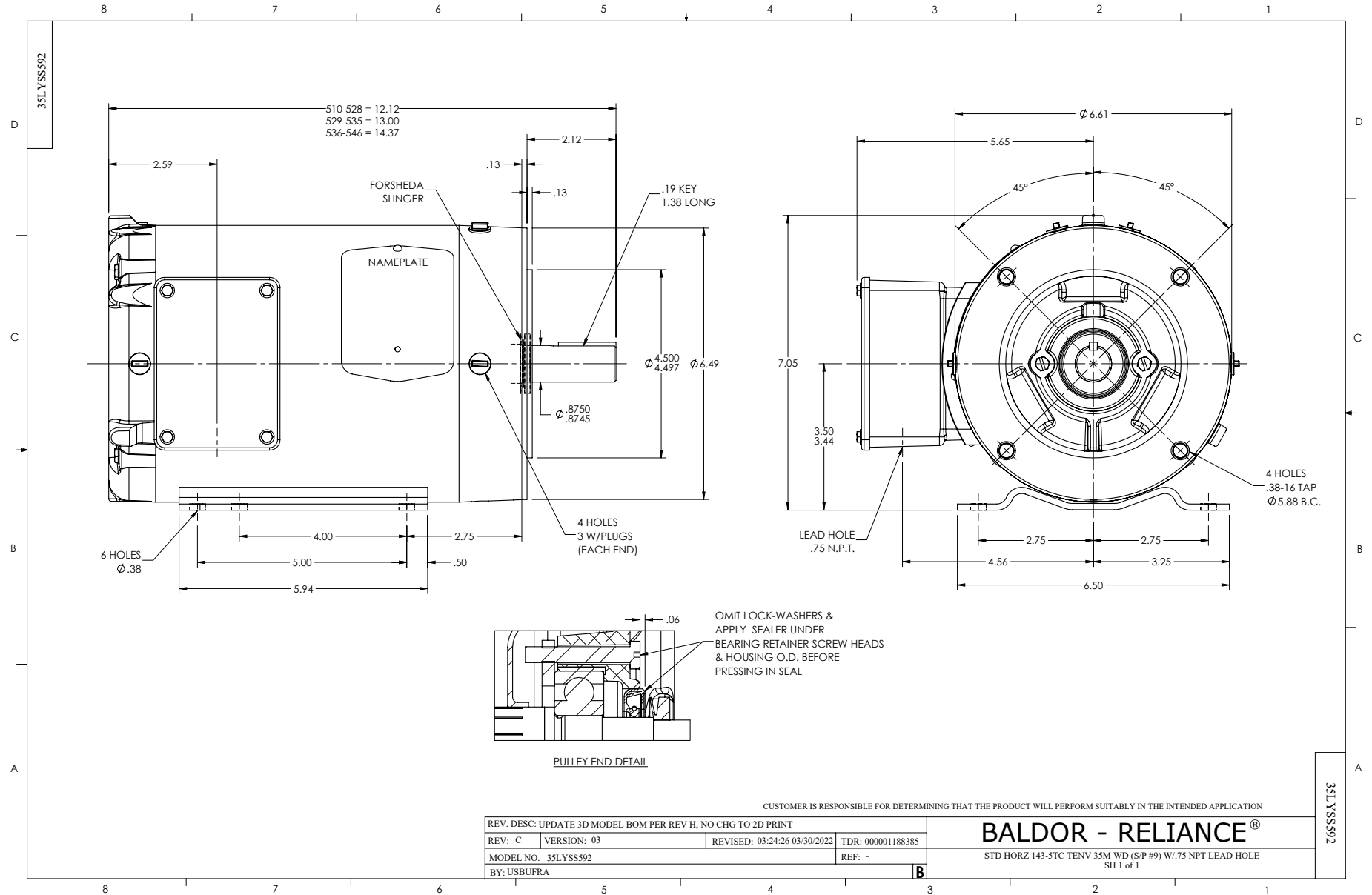
Typical performance - not guaranteed values.

2 HP 3 PH 60 HZ 1755 RPM 460 V 3540M

TORQUES (LB-FT): PO=20.6 PU=12.6 LR=16 LRA=21.8



2/16/2025 ACPERF, record # 87464



CD0005



LOW VOLTAGE
(2Y)



LINE

HIGH VOLTAGE
(1Y)



LINE

NOTES:

1. INTERCHANGE ANY TWO LINE LEADS TO REVERSE ROTATION.
2. OPTIONAL THERMOSTATS ARE PROVIDED WHEN SPECIFIED.
3. ACTUAL NUMBER OF INTERNAL PARALLEL CIRCUITS MAY BE A MULTIPLE OF THOSE SHOWN ABOVE.
4. LEAD COLORS ARE OPTIONAL. LEADS MUST ALWAYS BE NUMBERED AS SHOWN.

CD0005

REV. DESC: REVISE TO SHOW OPTIONAL COLORS			
REV. LTR: E	BY: JLP	REVISED: 01/19/99 10:15	TDR: 0171435
S00000		FILE: AAA00005140	MDL: -
		MTL: -	

BALDOR ELECTRIC Co.

3PH, DV, 9 LEADS