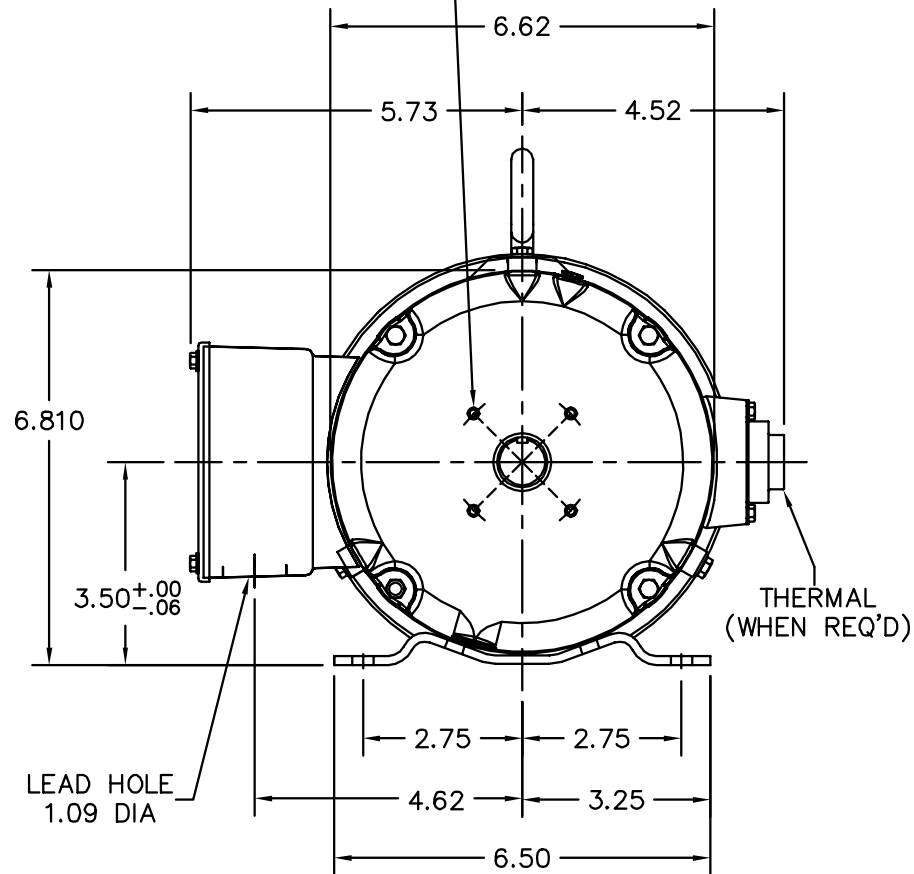
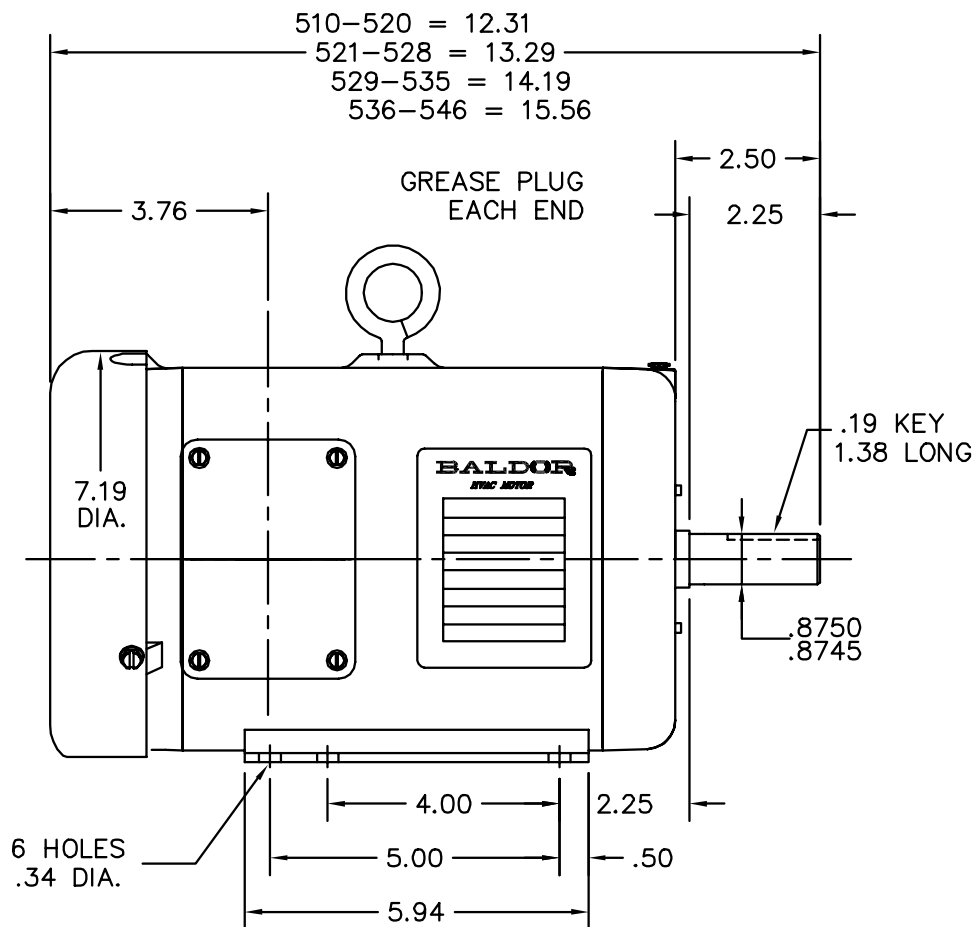



4 HOLES
#5-40 TAP
2.38 DIA. B.C.
90° APART
W/ SCREWS



CUSTOMER IS RESPONSIBLE FOR DETERMINING THAT BALDOR'S PRODUCT WILL PERFORM SUITABLY IN THE INTENDED APPLICATION.

REV. DESC: REPLACE ENDPLATES		
REV. LTR: E	VERSION: 05	TDR: 000001064040
FILE: \AAA\00175\984	REVISED: 03:27:26 03/14/2018	BY: FGCHAH1
MTL: -		

BALDOR

HOR 143-5T TEFC M W/GREASE PLUGS (HVAC) 1.09 LH, AEGIS SR

SH 1 of 1