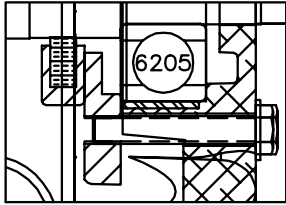
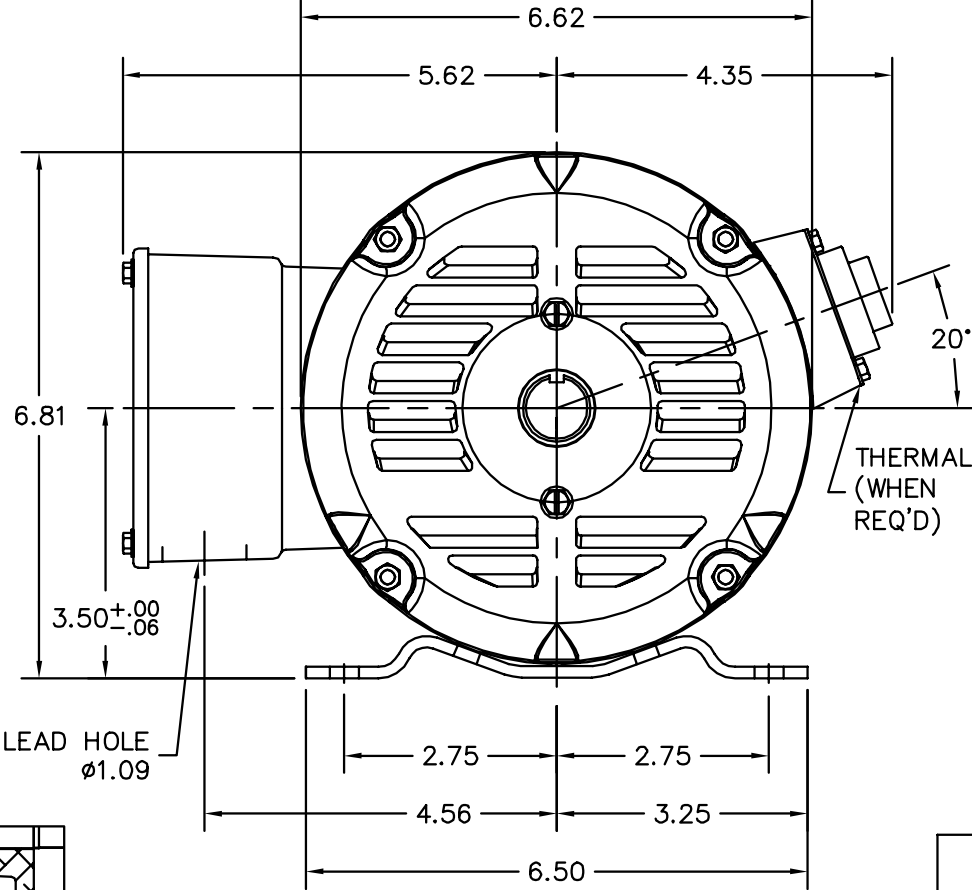
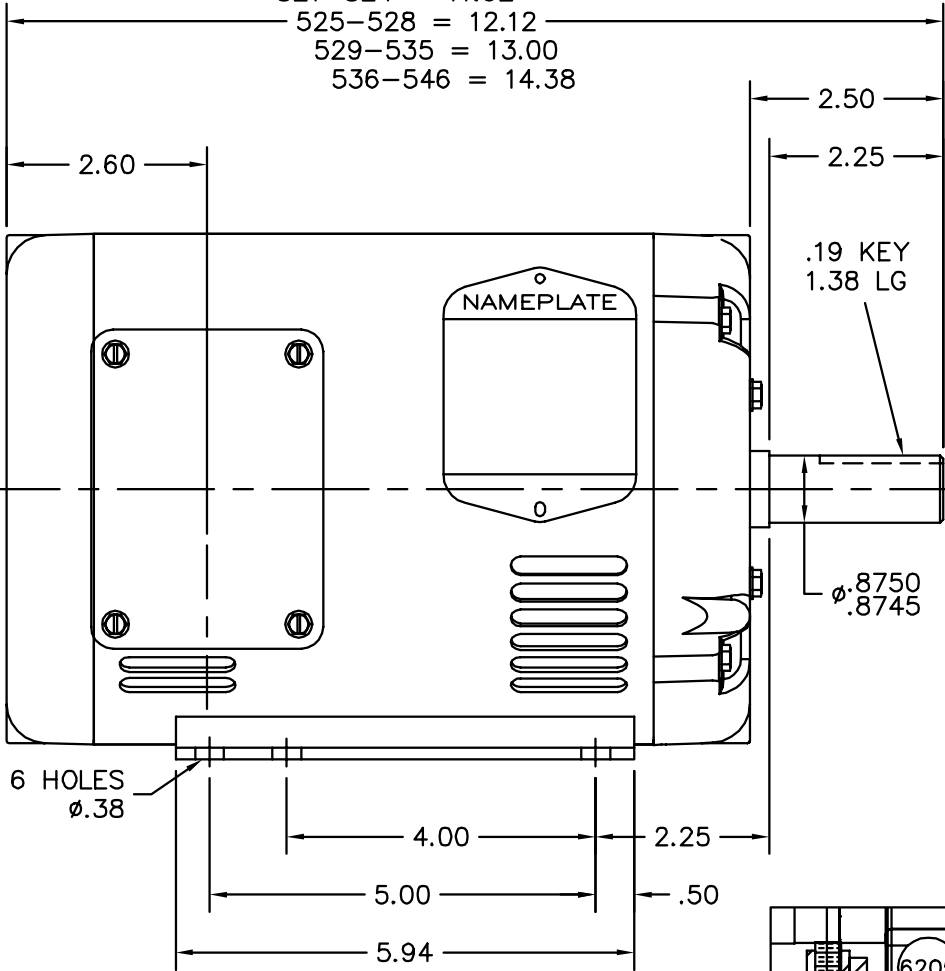


510-520 = 11.12
521-524 = 11.62
525-528 = 12.12
529-535 = 13.00
536-546 = 14.38



PU END DETAIL

CUSTOMER IS RESPONSIBLE FOR DETERMINING THAT BALDOR'S PRODUCT WILL PERFORM SUITABLY IN THE INTENDED APPLICATION.

REV. DESC: REPLACE ENDPLATES		
REV. LTR: B	VERSION: 02	TDR: 000001041474
FILE: \AAA\00186\945	REVISED: 02:15:11 09/05/2017	BY: USJOBUR22
MTL: -		

BALDOR

HOR 143-5T OPSB M, AEGIS INT SHAFT GRD, "W" BASE

35LYZ948